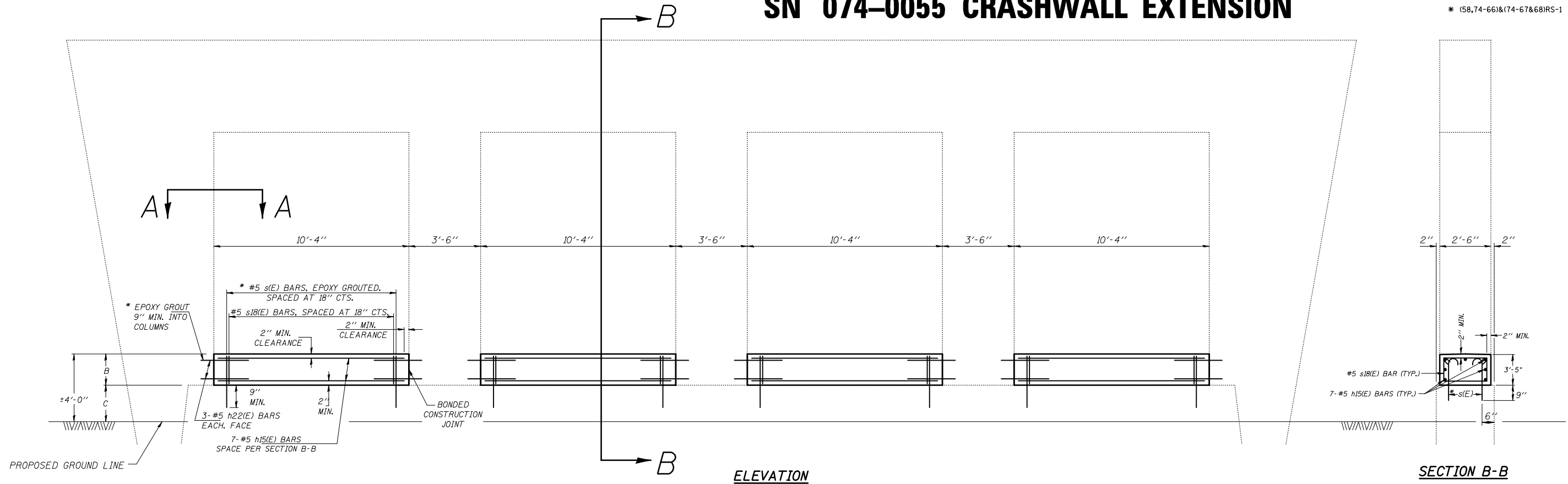


SN 074-0055 CRASHWALL EXTENSION



ELEVATION

SECTION B-B

GENERAL NOTES

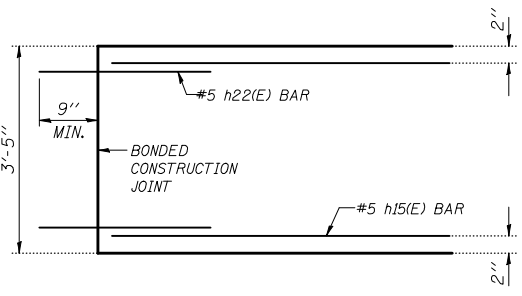
PLAN DIMENSIONS AND DETAILS RELATIVE TO EXISTING PLANS ARE SUBJECT TO ROUTINE VARIATIONS. THE CONTRACTOR SHALL FIELD VERIFY EXISTING DIMENSIONS AND DETAILS AFFECTING NEW CONSTRUCTION AND MAKE NECESSARY APPROVED ADJUSTMENTS PRIOR TO CONSTRUCTION OR ORDERING OF MATERIALS. SUCH VARIATIONS SHALL NOT BE CAUSE FOR ADDITIONAL COMPENSATION FOR A CHANGE IN SCOPE OF THE WORK, HOWEVER, THE CONTRACTOR WILL BE PAID FOR THE QUANTITY ACTUALLY FURNISHED BASED UPON THE UNIT PRICE BID FOR THE WORK.

THIS WORK WILL BE PAID FOR AT THE CONTRACT UNIT PRICE PER CUBIC YARD FOR CONCRETE STRUCTURES.

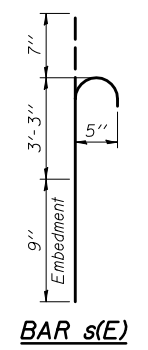
THE COST OF EPOXY GROUTING THREADED RODS SHALL BE INCLUDED WITH REINFORCEMENT BARS (EPOXY COATED).

REINFORCEMENT BARS SHALL CONFORM TO THE REQUIREMENTS OF ASTM A706 OR 6011 MODIFIED).

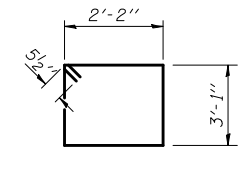
REINFORCEMENT BARS DESIGNATED (E) SHALL BE EPOXY COATED.



SECTION A-A



BAR s(E)



BAR s18(E)

* EPOXY GROUT BARS IN 9" MIN. HOLES ACCORDING TO ARTICLE 584 OF THE STANDARD SPECIFICATIONS.

CRASHWALL EXTENSION (TRAPEZOIDAL PIER)																						
STRUCTURE		DIMENSION			CONCRETE STRUCTURES		BAR		QTY		SIZE		LENGTH		LBS							
STATION	LOC.	B (FT)	C (FT)	(CU YD)	BAR	QTY	SIZE	LENGTH	LBS	BAR	QTY	SIZE	LENGTH	LBS	BAR	QTY	SIZE	LENGTH	SHAPE	LBS		
SN 074-0055	MED	3'-5"	0'-7"	13.08	h15(E)	28	#5	10'-0"	291.2	h22(E)	48	#5	2'-9"	137.3	s(E)	56	#5	4'-7"		266.7		
932+59.22					s18(E)	28	#5	11'-5"	332.6											332.6		
				CONCRETE STRUCTURES =			LBS =		291.2			LBS =		137.3			LBS =		266.7	REINFORCEMENT BARS (EPOXY COATED) =		1027.8

NOTE:
MED INDICATES MEDIAN PIER.

SN 074-0055

ILLINOIS DEPARTMENT OF TRANSPORTATION
Crashwall Extensions
F.A.I. ROUTE 72
SECTION (58,74-66)&(74-67&68)RS-1
PIATT COUNTY
Sheet 1 of 7
SCALE: NONE
DATE: 12/15/09
DRAWN BY:
CHECKED BY: R.T.B.