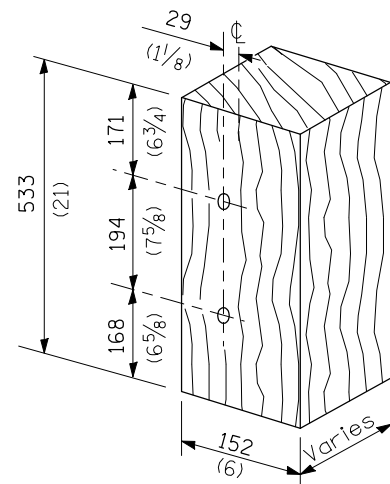


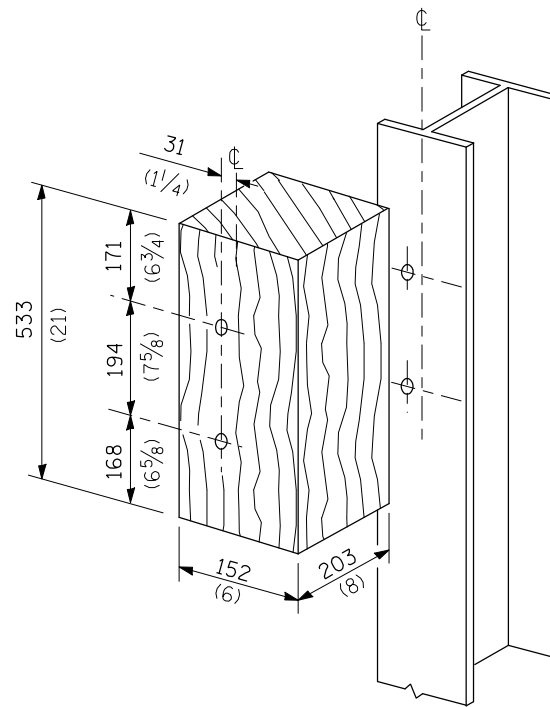
F.A.I. RTE.	SECTION	COUNTY	TOTAL SHEETS	SHEET NO.
72	*	PIATT	251	202

* (58,74-66)&(74-67&68)RS-1

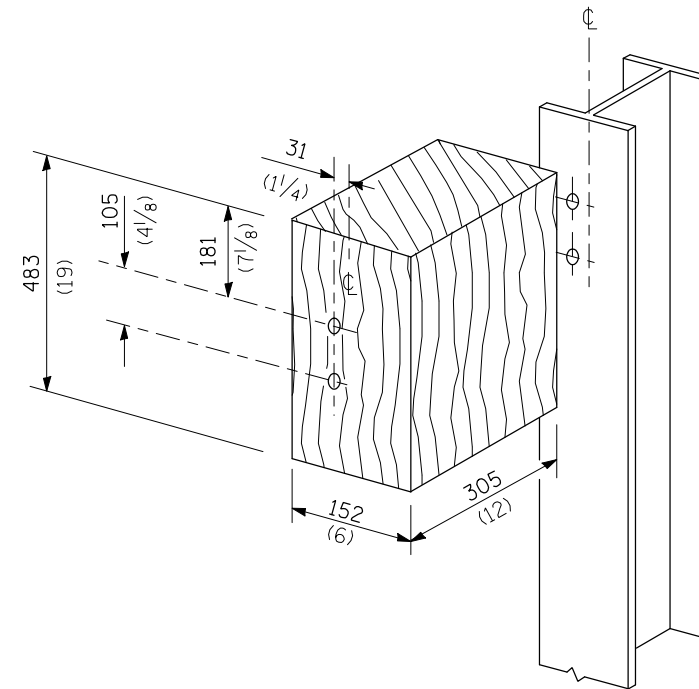
TRAFFIC BARRIER TERMINAL, TYPE 6B (SPECIAL)



MODIFIED THICKNESS WOOD BLOCKOUT DETAIL

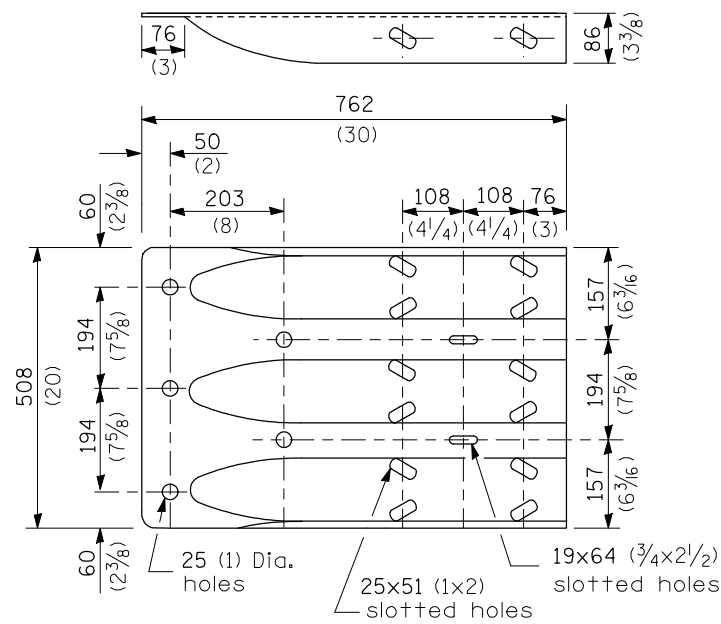


POSTS 1-11 WOOD BLOCKOUT DETAIL

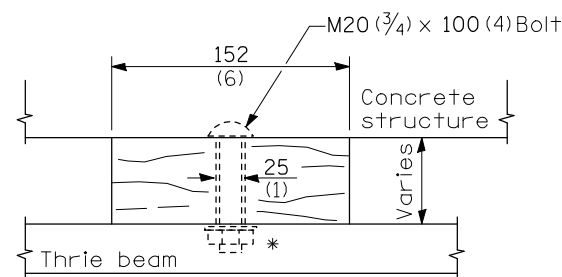


POST 12 WOOD BLOCKOUT DETAIL

(See Standard 630001 for post 13-17 blockouts.)

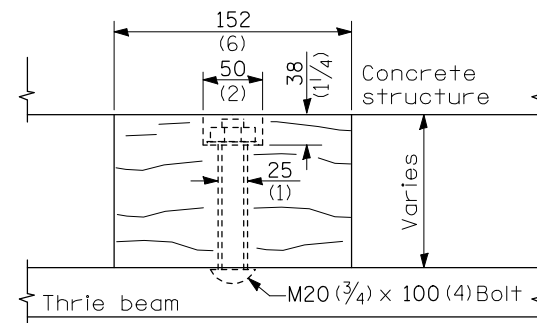


THRIE BEAM END SHOE DETAIL

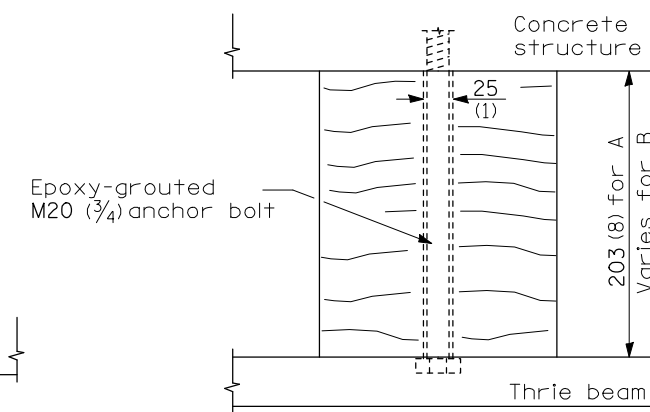


WOOD BLOCKOUT C

Bolt to thrie beam with M20 (3/4) by 100 (4) bolt, washer & nut. Reverse direction of insertion. *



WOOD BLOCKOUT B



WOOD BLOCKOUT A

SHEET 2 OF 3

ILLINOIS DEPARTMENT OF TRANSPORTATION
**TRAFFIC BARRIER
 TERMINAL, TYPE 6B (SPECIAL)**

SCALE: NA
 DATE: 09/27/06

DRAWN BY: CADD
 CHECKED BY:

PLOT DATE = 2/8/2010
 FILE NAME = c:\p\cadd\p\11001\PIERS\BR\48189678\281954.dwg
 PLOT SCALE = 1/8"=1'-0"
 USER NAME = piersbr