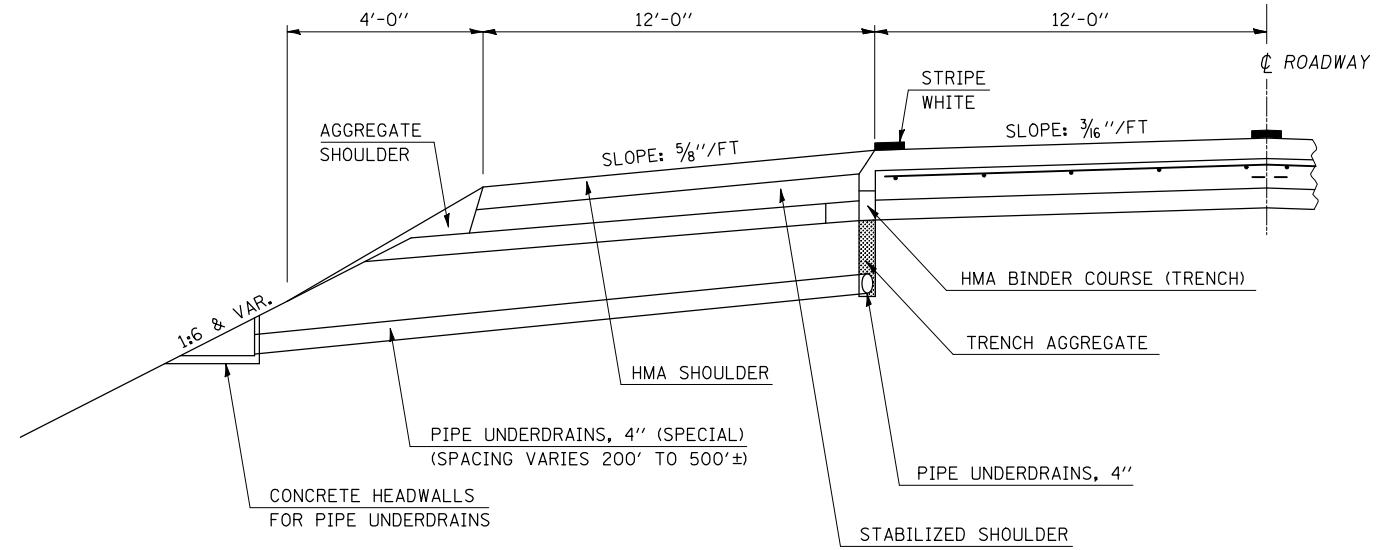


F.A.I. RTE.	SECTION	COUNTY	TOTAL SHEETS	SHEET NO.
72	*	PIATT	251	209

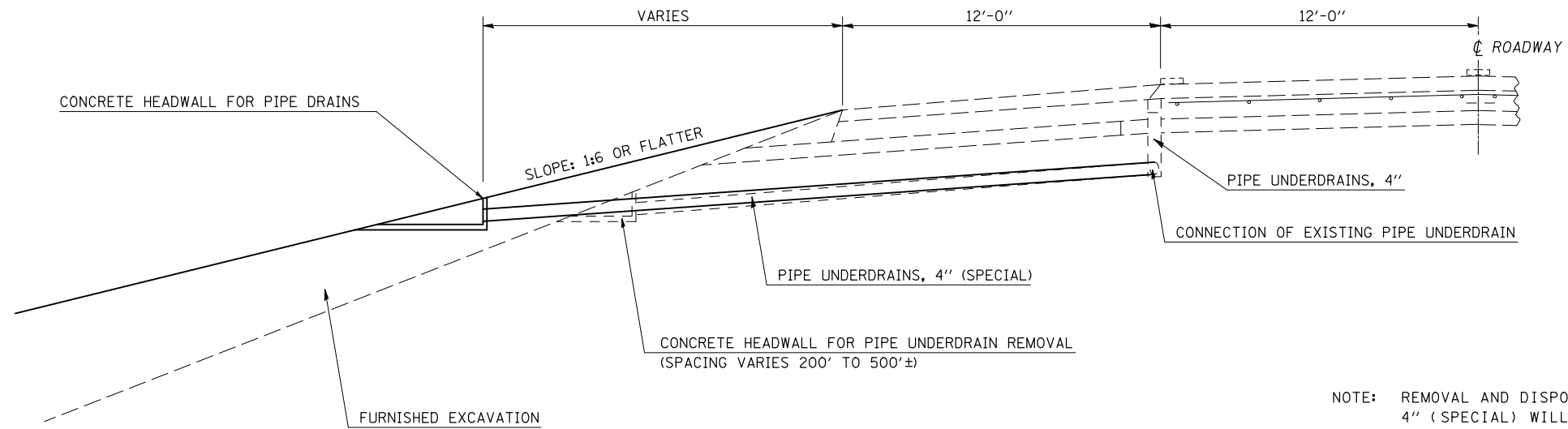
* (58,74-66)&(74-67&68)RS-1

PIPE UNDERDRAIN REMOVE AND REINSTALL DETAIL

EXISTING



PROPOSED



REMOVAL, DISPOSAL, AND REPLACEMENT OF EXISTING TRENCH AGGREGATE, HMA BINDER COURSE (TRENCH), STABILIZED SHOULDER AND HMA SHOULDER FOR CONNECTION OF EXISTING PIPE UNDERDRAIN WILL NOT BE MEASURED FOR PAYMENT AND SHALL BE INCLUDED IN THE CONTRACT UNIT PRICE EACH FOR CONNECTION OF EXISTING PIPE UNDERDRAIN.

NOTE: REMOVAL AND DISPOSAL OF EXISTING PIPE UNDERDRAINS, 4" (SPECIAL) WILL NOT BE MEASURED FOR PAYMENT AND SHALL BE INCLUDED IN THE CONTRACT UNIT PRICE EACH FOR CONCRETE HEADWALL FOR PIPE UNDERDRAIN REMOVAL.