

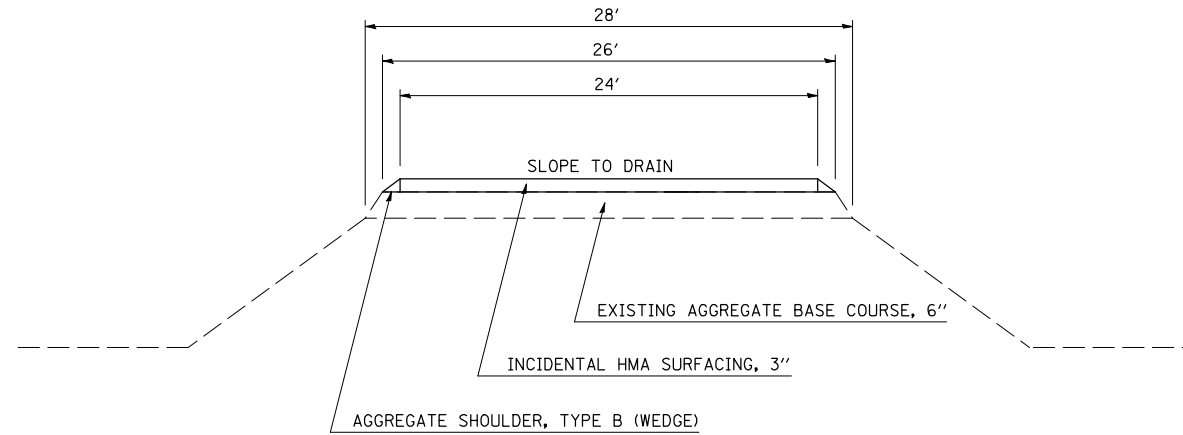
F.A.I. RTE.	SECTION	COUNTY	TOTAL SHEETS	SHEET NO.
72	*	PIATT	251	215

* (58,74-66)&(74-67&68)RS-1

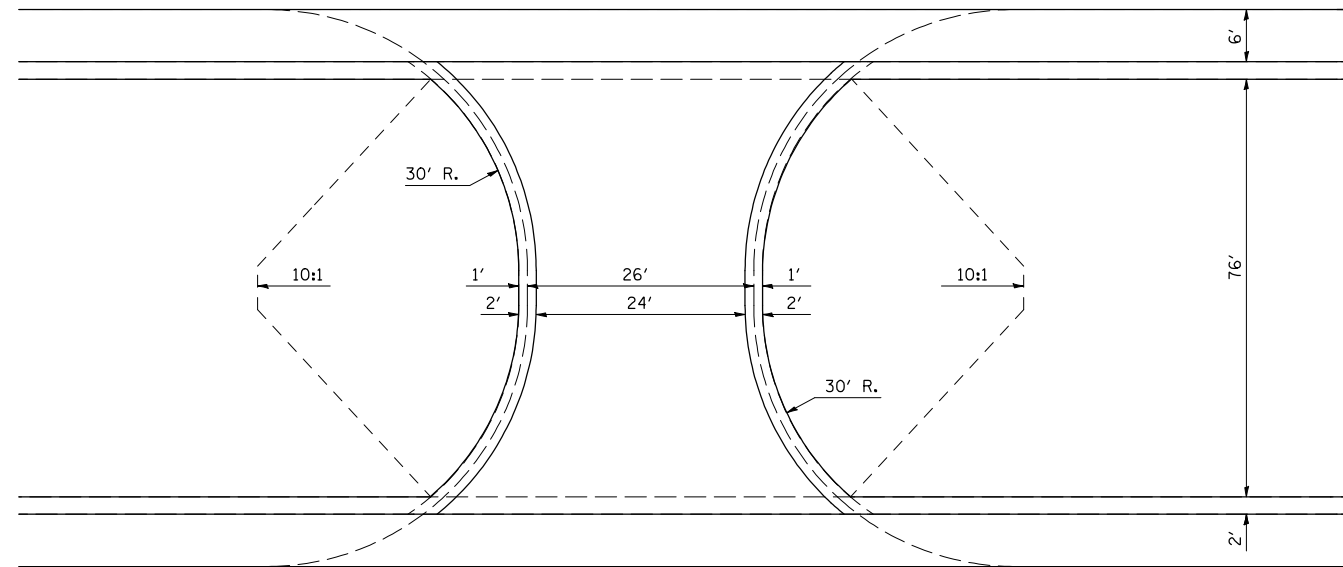
DETAIL FOR MEDIAN CROSSOVER TO BE RESURFACED

CROSSOVERS

STATION	AREA (SQYD)	40800010	40800030	40800050
		BIT MATLS PR CT (GALLON)	AGG PR CT (TON)	INCID HMA SURFACE (TONS)
978+82	340	34.0	0.7	38.1
1134+52	340	34.0	0.7	38.1
1306+30	340	34.0	0.7	38.1
1186+50	340	34.0	0.7	38.1
1239+00	340	34.0	0.7	38.1
TOTAL =		170.0	3.5	190.5
USE =		170.0	3.5	190.5



ELEVATION



PLAN

PLOT DATE = 2/8/2010
 FILE NAME = c:\p\...
 PLOT SCALE = 1/8"=1'-0"
 USER NAME = pierstonb

ILLINOIS DEPARTMENT OF TRANSPORTATION
MEDIAN CROSSOVER DETAIL
 F.A.I. ROUTE 72
 SECTION (58,74-66)&(74-67&68)RS-1
 PIATT COUNTY

SCALE: NONE
 DATE: 12/15/09

DRAWN BY:
 CHECKED BY: R.T.B.