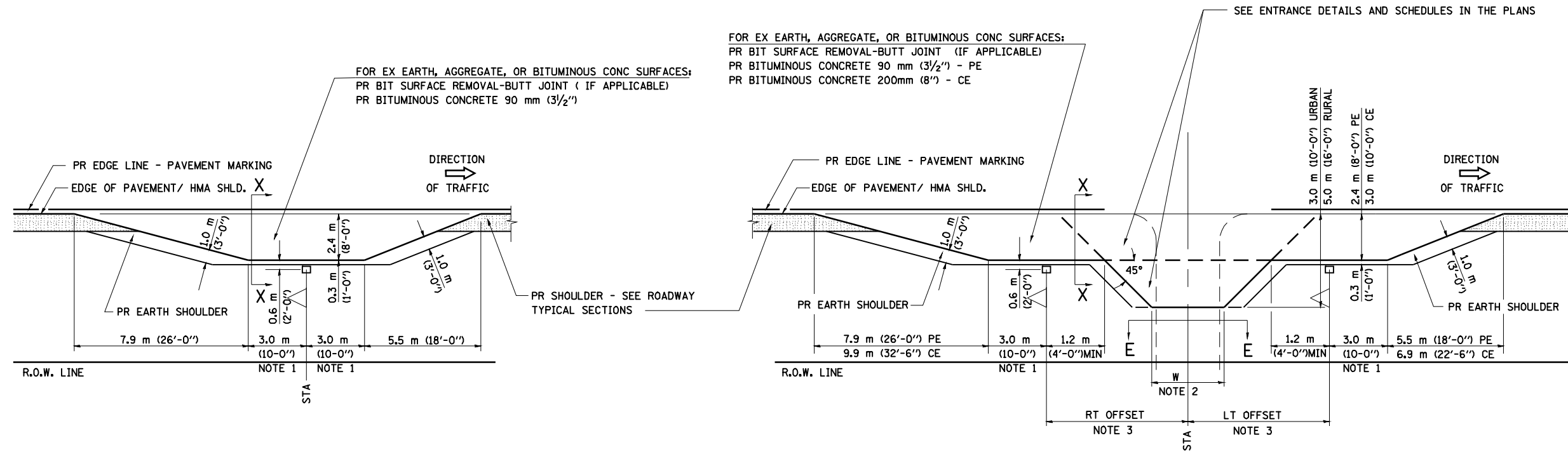
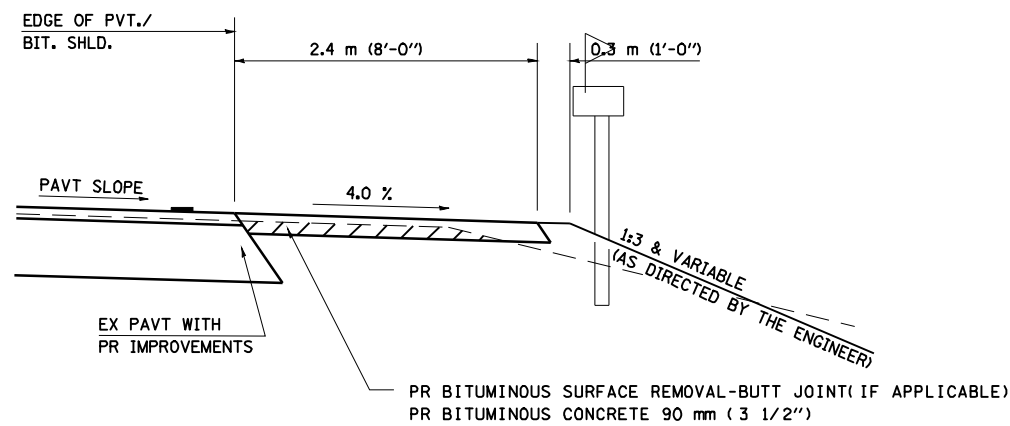


## DETAILS OF MAILBOX TURNOUTS



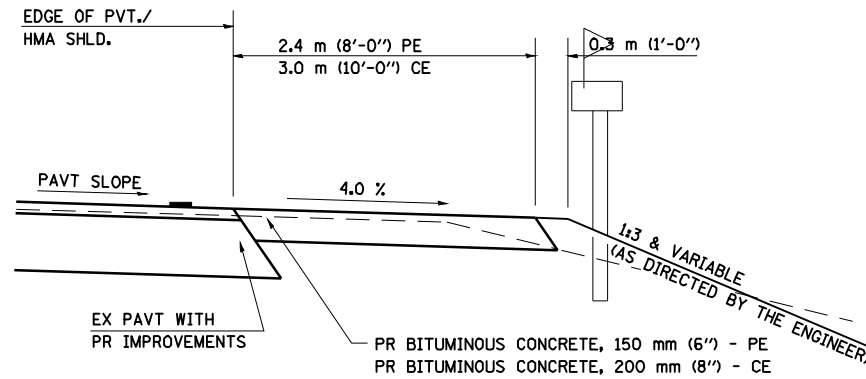
**PLAN - MAILBOX TURNOUTS**

**PLAN - COMBINED MAILBOX TURNOUT WITH TRAILING OR LEADING ENTRANCE**



**SECTION X-X THRU MAILBOX TURNOUT  
ALSO APPLIES TO MAILBOX TURNOUTS COMBINED WITH  
EX EARTH, AGGREGATE, OR BITUMINOUS PE & FE**

( DETAIL APPLIES WHEN M.B. TURNOUT DOES NOT EXIST.  
IF EXISTING, TREAT SAME AS ENTRANCE. )



**SECTION X-X THRU MAILBOX TURNOUT  
COMBINED WITH EX BITUMINOUS CONC & PC CONC PE & CE**

( DETAIL APPLIES WHEN M.B. TURNOUT DOES NOT EXIST.  
IF EXISTING, TREAT SAME AS ENTRANCE. )

- NOTE 1 IF MORE THAN ONE MAILBOX IS PRESENT, DIMENSION FROM CENTER OF END MAILBOX.
- NOTE 2 FOR ENTRANCE LAYOUT DIMENSIONS AND SECTIONS A-A & E-E REFER TO THE SCHEDULES IN THE PLANS.
- NOTE 3 BOTH LT OR RT OFFSETS FOR MAILBOX SHOWN USE OFFSET DIMENSION PER SCHEDULE AND REFER TO LAYOUT SHOWN ON THE PLAN.

ALL DIMENSIONS ARE IN MILLIMETERS ( INCHES )  
UNLESS OTHERWISE SHOWN.

FILE NAME =	USER NAME = laughlinr1	DESIGNED -	REVISED - 2/19/03 JCN
ENT PPP.DGN	er:\pwwork\pwwidot\LAUGHLINRL\0122712\0672062-sh-t-detail.dgn	DRAWN - CADD	REVISED - 4/01/04 JCN
	PLOT SCALE = 40.0000 ' / IN.	CHECKED - JCN	REVISED -
	PLOT DATE = Feb-05-2010 11:45:58AM	DATE - FEBRUARY 23, 1999	REVISED -

**STATE OF ILLINOIS  
DEPARTMENT OF TRANSPORTATION**

**DIST. 6 DETAILS FOR RURAL/URBAN ENT., MAILBOX  
TURNOUT & SIDEROADS W/O CONC. GUTTER (3P-PROJ.)**

SCALE: SHEET NO. OF SHEETS STA. TO STA.

F.A.P. RTE.	SECTION	COUNTY	TOTAL SHEETS	SHEET NO.
753	141RS-6&142RS-6		62	19
CONTRACT NO. 72B13				
ILLINOIS FED. AID PROJECT				