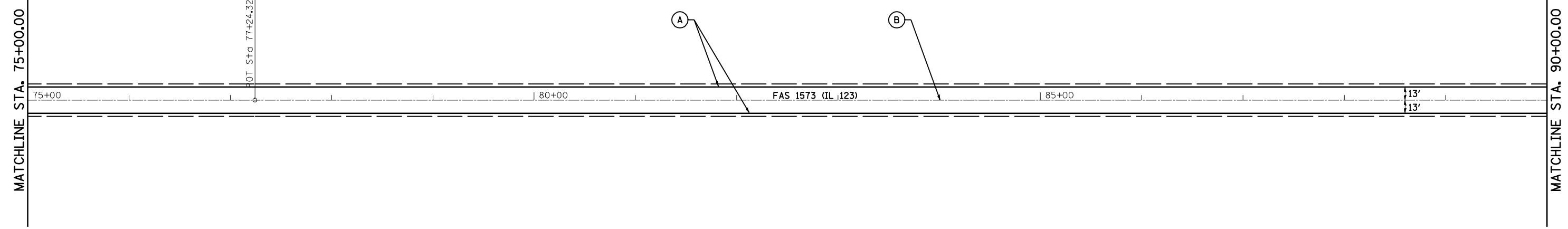
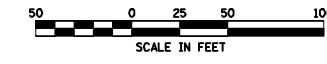


**LEGEND**

- (A) PAINT PAVEMENT MARKING  
LINE 5" SOLID WHITE
- (B) PAINT PAVEMENT MARKING  
5" SKIP-DASH YELLOW ON CL  
SEE PAVEMENT MARKING SCHEDULE  
FOR LOCATIONS OF NO PASSING  
ZONES.



• SANGAMON & MENARD

FILE NAME =	USER NAME = coxte	DESIGNED -	REVISED -
er\pwwork\PIDOT\COXTE\132883\067208-SHT-plan1.dgn		DRAWN -	REVISED -
PLOT SCALE = 100.0000' / IN.		CHECKED -	REVISED -
PLOT DATE = Mar-26-2010 04:27:18PM		DATE -	REVISED -

**STATE OF ILLINOIS  
DEPARTMENT OF TRANSPORTATION**

**PLAN SHEET  
SECTION 102**

SCALE: SHEET NO. OF SHEETS STA. 90+00 TO STA. 60+00

F.A.S. RTE.	SECTION	COUNTY	TOTAL SHEETS	SHEET NO.
1573	101 RS-5, 102 RS-4	•	26	13
CONTRACT NO. 72C58			ILLINOIS FED. AID PROJECT	