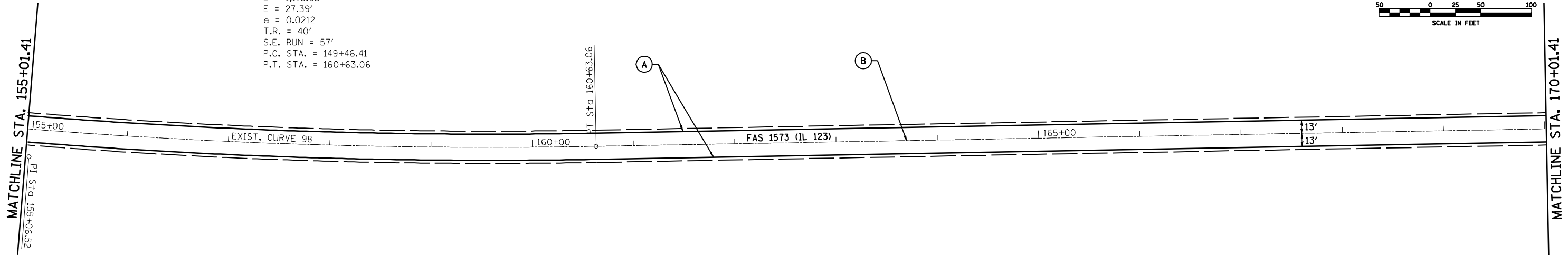
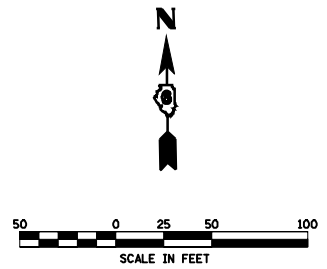
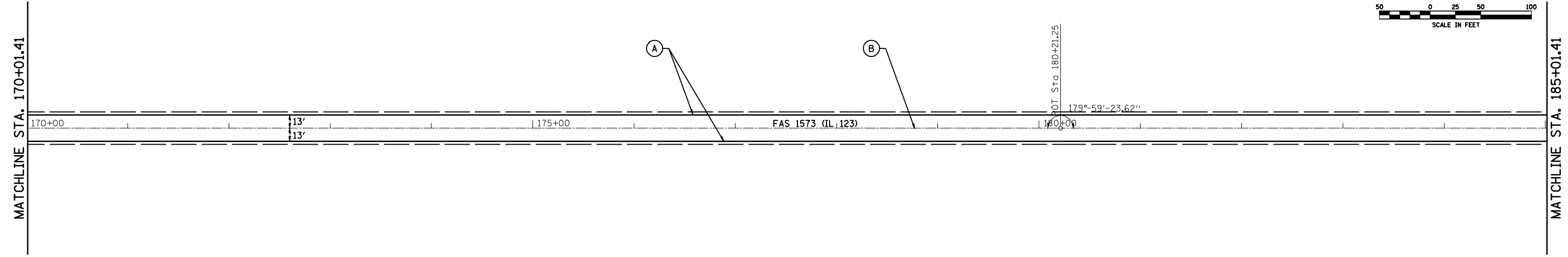
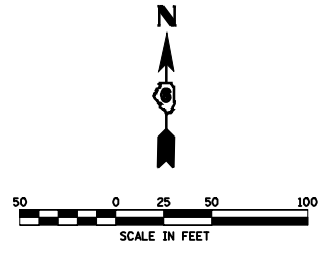


EXIST. CURVE 98  
 PI STA. = 155+06.52  
 $\Delta = 11^\circ 12' 00''$  (LT)  
 $D = 1^\circ 00' 11''$   
 $R = 5,712.49'$   
 $T = 560.11'$   
 $L = 1,116.65'$   
 $E = 27.39'$   
 $e = 0.0212$   
 $T.R. = 40'$   
 $S.E. RUN = 57'$   
 $P.C. STA. = 149+46.41$   
 $P.T. STA. = 160+63.06$



**LEGEND**

- (A) PAINT PAVEMENT MARKING  
LINE 5" SOLID WHITE
- (B) PAINT PAVEMENT MARKING  
5" SKIP-DASH YELLOW ON CL  
SEE PAVEMENT MARKING SCHEDULE  
FOR LOCATIONS OF NO PASSING  
ZONES.



• SANGAMON & MENARD

FILE NAME =	USER NAME = coxte	DESIGNED -	REVISED -
e:\pwwork\p\WIDOT\COXTE\132883\067208-SHT-plan1.dgn		DRAWN -	REVISED -
PLOT SCALE = 100.0000' / IN.		CHECKED -	REVISED -
PLOT DATE = Mar-26-2010 04:27:49PM		DATE -	REVISED -

**STATE OF ILLINOIS  
 DEPARTMENT OF TRANSPORTATION**

**PLAN SHEET  
 SECTION 101**

SCALE: SHEET NO. OF SHEETS STA. 155+01.41 TO STA. 185+01.41

F.A.S. RTE.	SECTION	COUNTY	TOTAL SHEETS	SHEET NO.
1573	101 RS-5, 102 RS-4		26	21
CONTRACT NO. 72C58			ILLINOIS FED. AID PROJECT	