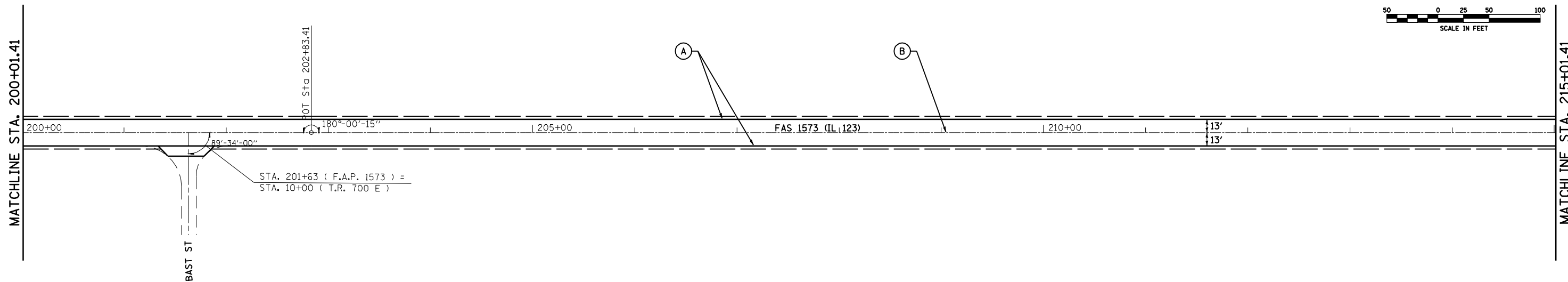
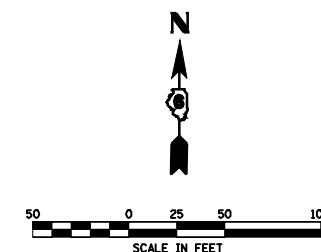


LEGEND

- (A) PAINT PAVEMENT MARKING
LINE 5" SOLID WHITE
- (B) PAINT PAVEMENT MARKING
5" SKIP-DASH YELLOW ON CL
SEE PAVEMENT MARKING SCHEDULE
FOR LOCATIONS OF NO PASSING
ZONES.



• SANGAMON & MENARD

FILE NAME = e:\pwwork\pwidot\COXTE\d0132883\0672088-SHT-plen1.dgn	USER NAME = coxte	DESIGNED -	REVISED -
PLOT SCALE = 100.0000' / IN.		DRAWN -	REVISED -
PLOT DATE = Mar-26-2010 04:27:53PM		CHECKED -	REVISED -
		DATE -	REVISED -

**STATE OF ILLINOIS
DEPARTMENT OF TRANSPORTATION**

**PLAN SHEET
SECTION 101**

SCALE: SHEET NO. OF SHEETS STA. 185+01.41 TO STA. 215+01.41

F.A.S RTE.	SECTION	COUNTY	TOTAL SHEETS	SHEET NO.
1573	101 RS-5, 102 RS-4	•	26	22
CONTRACT NO. 72C58			ILLINOIS FED. AID PROJECT	