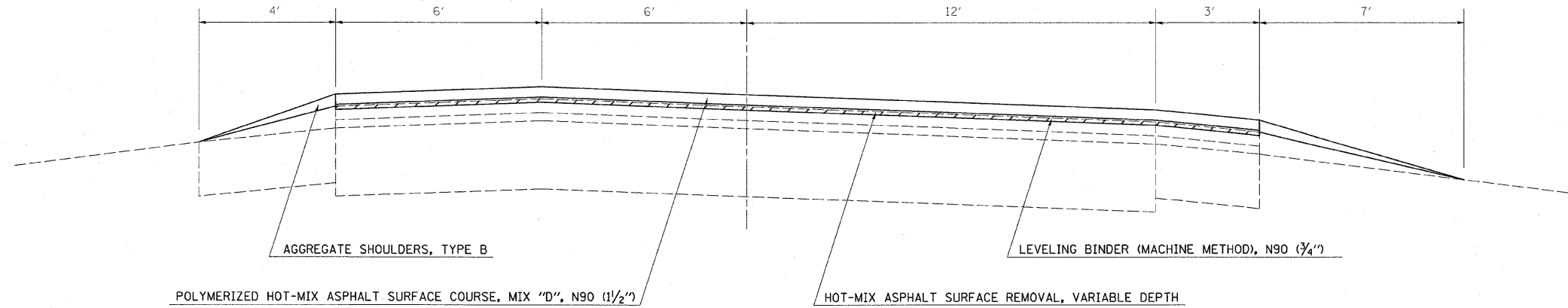


PROPOSED TYPICAL CROSS SECTION

STA 806+34.43 TO STA 940+06.81

NOTE: EBL SHOWN - ROTATE ABOUT ϕ FOR WBL ON TANGENT

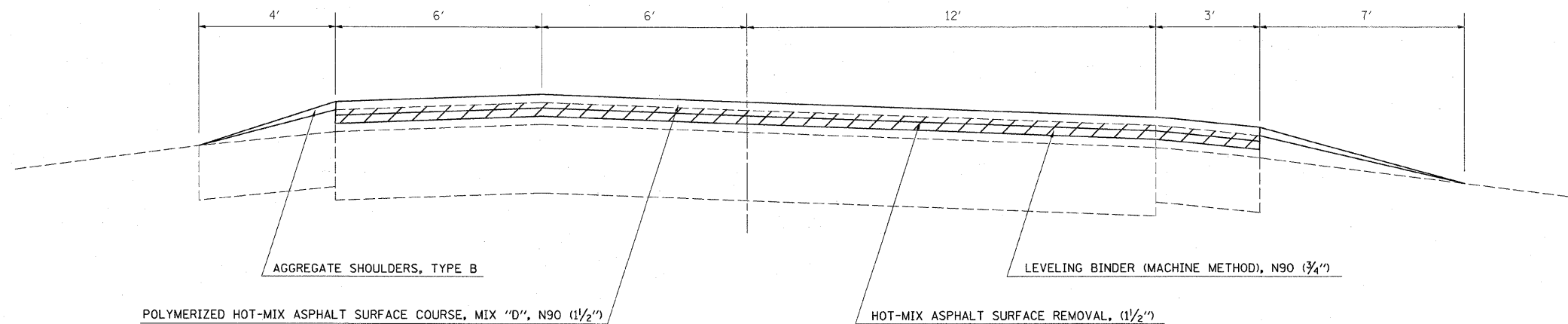


NOTE: NOT DRAWN TO SCALE

PROPOSED TYPICAL CROSS SECTION

STA 940+06.81 TO STA 1063+65

NOTE: EBL SHOWN - ROTATE ABOUT ϕ FOR WBL ON TANGENT



NOTE: NOT DRAWN TO SCALE

• (51-24)RS-3 & (51-24-2)RS-1

FILE NAME =	USER NAME = swartzw	DESIGNED -	REVISED -	STATE OF ILLINOIS DEPARTMENT OF TRANSPORTATION	TYPICAL CROSS SECTIONS			F.A.P. RTE.	SECTION	COUNTY	TOTAL SHEETS	SHEET NO.
cr:\pw_work\pwidot\swartzw\d0138979\d774	390-shs-typicals.dgn	DRAWN -	REVISED -		327		LAWRENCE	49	6			
	PLOT SCALE = 50,0000 ' / IN.	CHECKED -	REVISED -						CONTRACT NO. 74390			
	PLOT DATE = 1/28/2010	DATE -	REVISED -		SCALE: NA	SHEET NO. 3 OF 4 SHEETS	STA.	TO STA.	ILLINOIS FED. AID PROJECT			