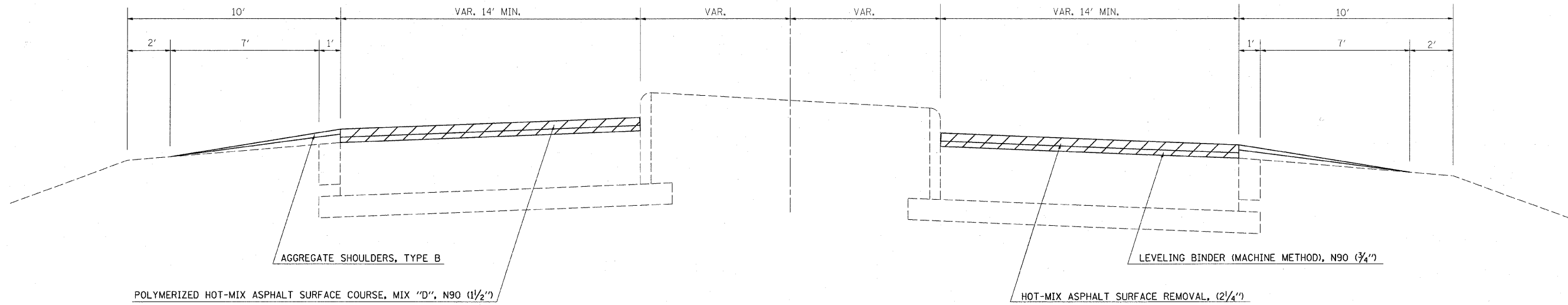


PROPOSED TYPICAL CROSS SECTION

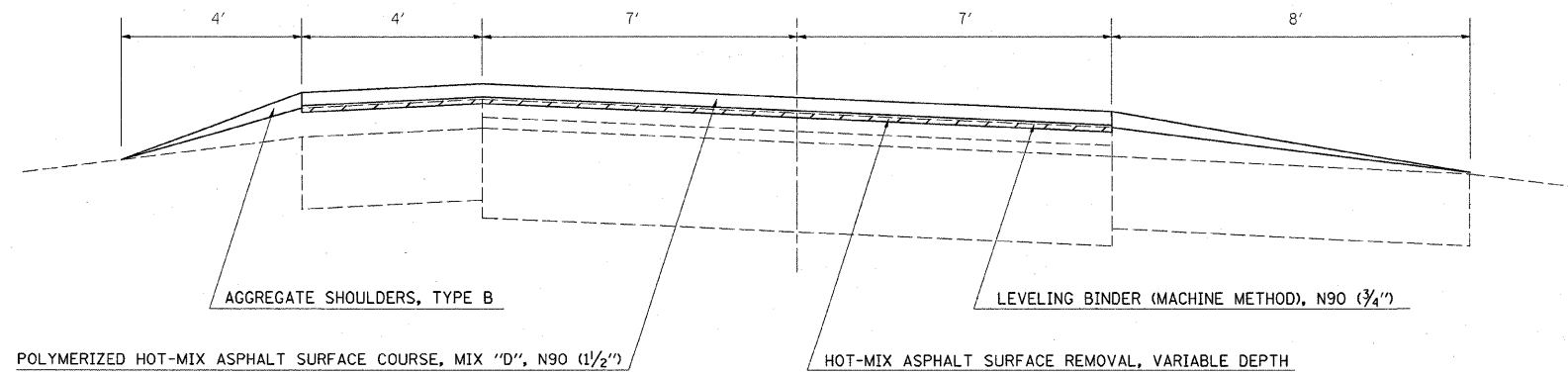
ILL. ROUTE 33 & RAMPS



NOTE: NOT DRAWN TO SCALE

PROPOSED TYPICAL CROSS SECTION

LAKE LAWRENCE INTERCHANGE RAMPS



NOTE: NOT DRAWN TO SCALE

FILE NAME =	USER NAME = swartzw	DESIGNED -	REVISED -	STATE OF ILLINOIS DEPARTMENT OF TRANSPORTATION	TYPICAL CROSS SECTIONS			F.A.P. RTE.	SECTION	COUNTY	TOTAL SHEETS	SHEET NO.
ca:\pw_work\pwsdot\swartzw\d8138979\d774390-shr-typicals.dgn		DRAWN -	REVISED -		327	*	LAWRENCE	49	7			
PLOT SCALE = 50,0000 ' / IN.		CHECKED -	REVISED -		CONTRACT NO. 74390			ILLINOIS FED. AID PROJECT				
PLOT DATE = 1/28/2010		DATE -	REVISED -		SCALE: NA	SHEET NO. 4 OF 4 SHEETS	STA.	TO STA.				

(51-24IRS-3 & (51-24-2IRS-1