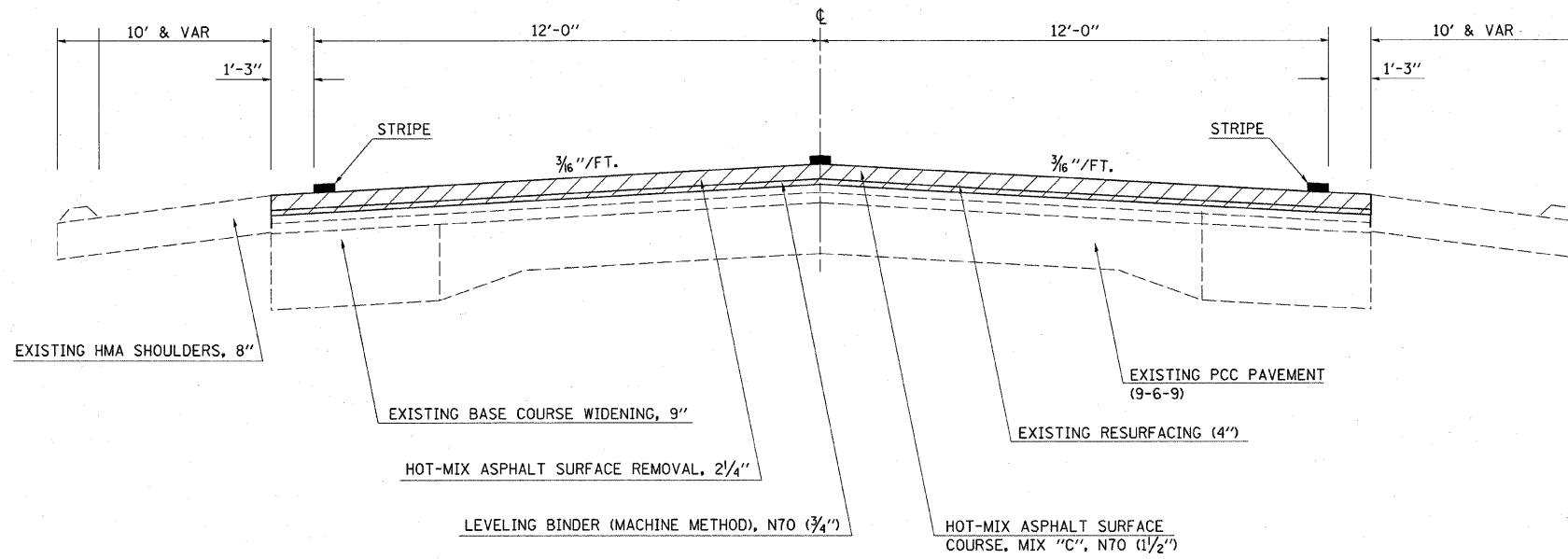


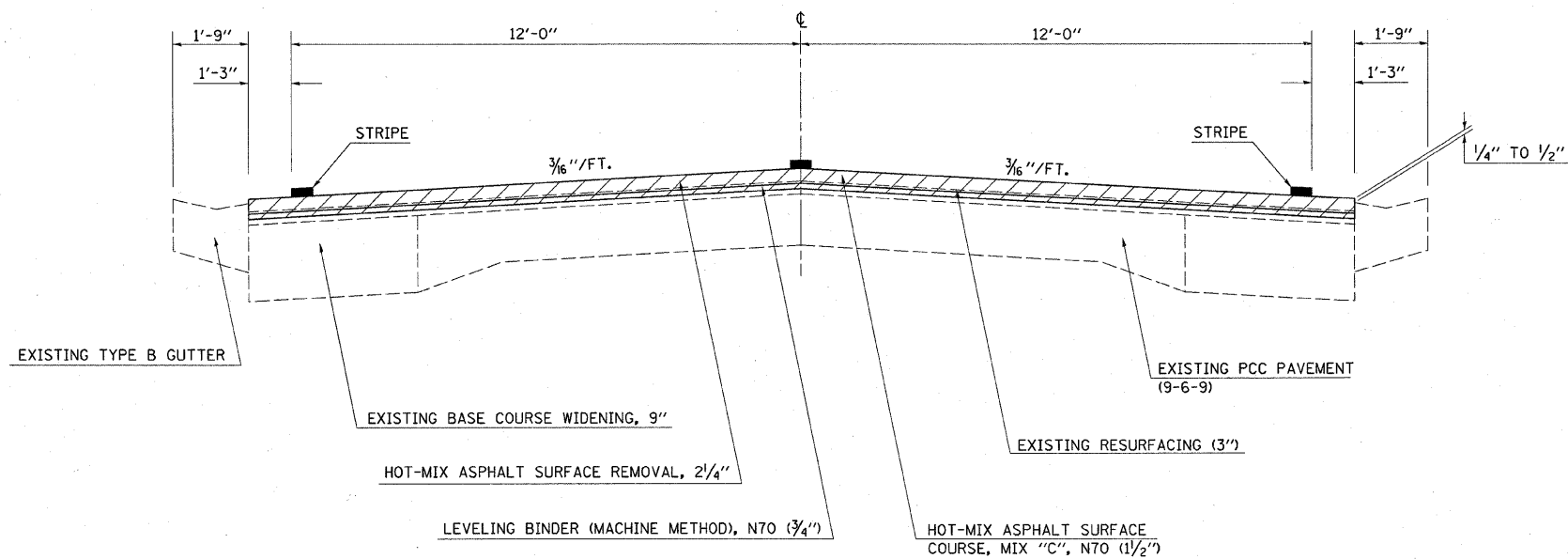
### TYPICAL CROSS SECTION

STATION 494+75 TO STATION 497+73 (BR OM)  
STATION 499+48 TO STATION 503+83



### TYPICAL CROSS SECTION

STATION 653+80 TO STATION 661+44  
STATION 667+19 TO STATION 679+09  
STATION 714+46 TO STATION 717+50  
STATION 722+66 TO STATION 723+21.5  
STATION 740+40 TO STATION 750+85



• (F-X)RS-1, (113,120)RS-1

FILE NAME =  
c:\pw\_work\FWIDOT\SWARTZR\08147972\d7

USER NAME = swartzrw  
4410-shr-typicals.dgn  
PLOT SCALE = 20,000 / IN.  
PLOT DATE = 1/21/2010

DESIGNED -  
DRAWN -  
CHECKED -  
DATE -

REVISED -  
REVISED -  
REVISED -  
REVISED -

STATE OF ILLINOIS  
DEPARTMENT OF TRANSPORTATION

TYPICAL CROSS SECTIONS

SCALE: NA SHEET NO. 4 OF 5 SHEETS STA. TO STA.

F.A.P. RTE.	SECTION	COUNTY	TOTAL SHEETS	SHEET NO.
116		CUMBERLAND	25	7
CONTRACT NO. 74410				
ILLINOIS FED. AID PROJECT				