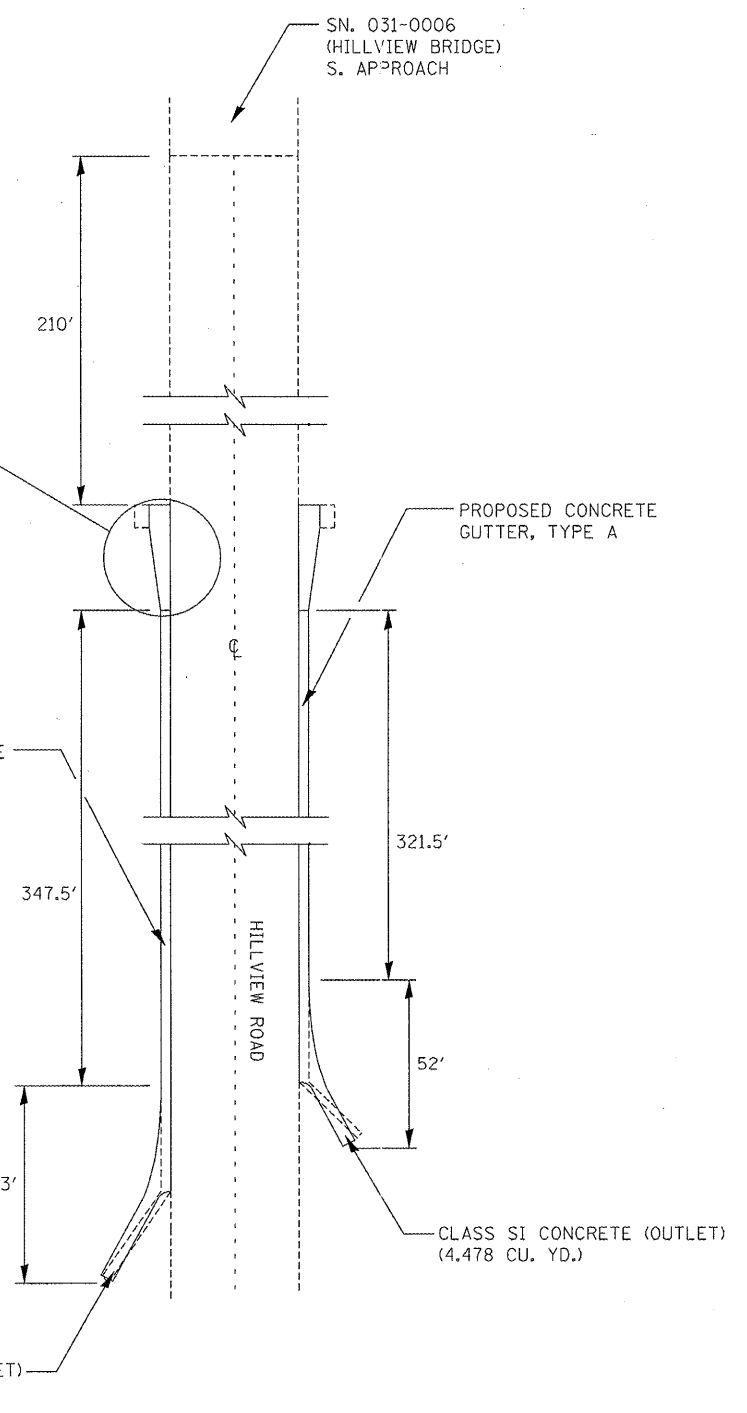
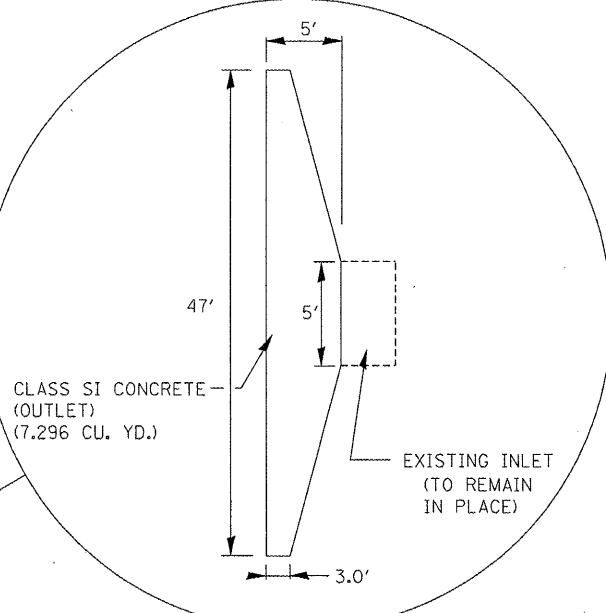
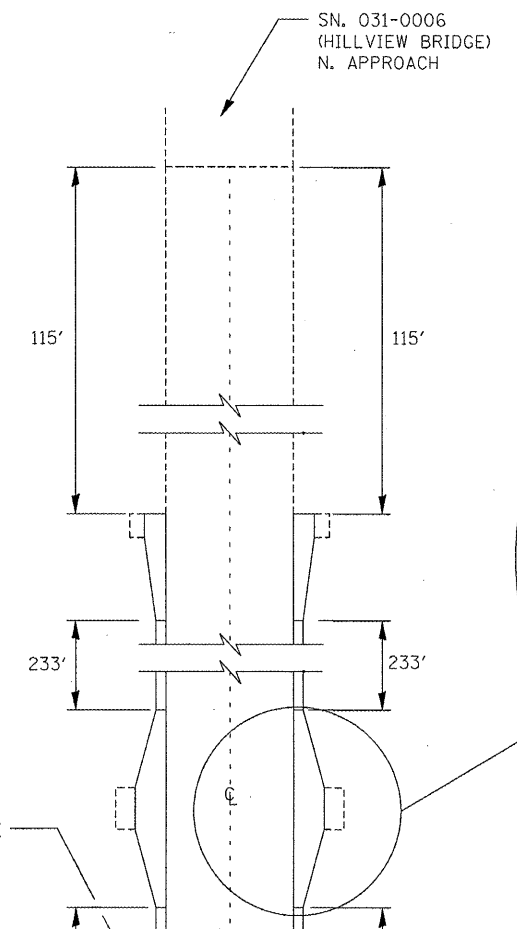


TYPICAL BOTH SIDES

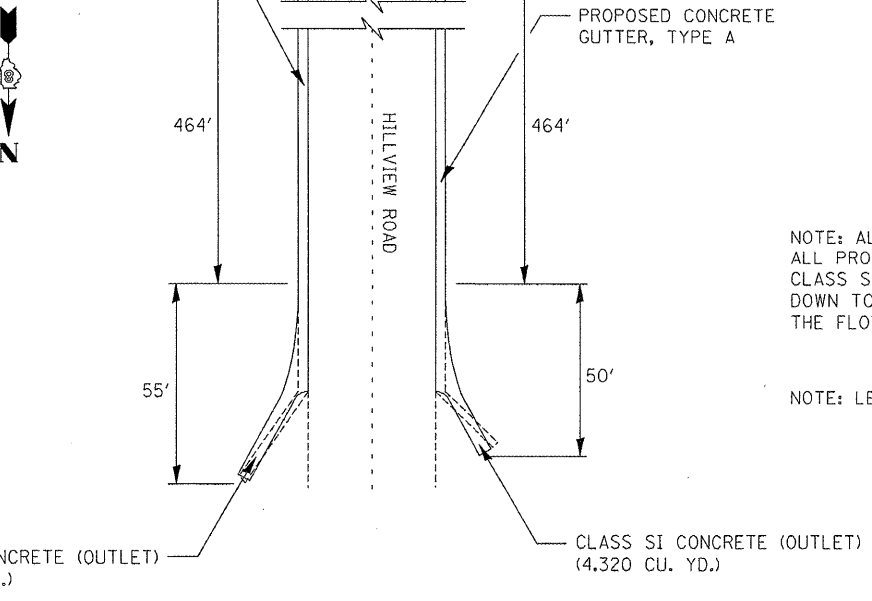


CONCRETE GUTTER, TYPE A AND CLASS SI CONCRETE INLET AND OUTLET DETAIL

SOUTH OF SN. 031-0006



TYPICAL BOTH SIDES



CONCRETE GUTTER, TYPE A AND CLASS SI CONCRETE INLET AND OUTLET DETAIL

NORTH OF SN. 031-0006

NOTE: ALL EXISTING INLETS SHALL REMAIN IN PLACE. ALL PROPOSED INLETS TO BE CONSTRUCTED WITH CLASS SI CONCRETE (OUTLET) SHALL BE FEATHERED DOWN TO THE EXISTING INLETS SO AS NOT TO IMPEDE THE FLOW OF WATER.

NOTE: LENGTH OF GUTTER REMOVAL IS 2511 FOOT.

NOT TO SCALE

FILE NAME =	USER NAME = waterale	DESIGNED -	REVISED -	STATE OF ILLINOIS DEPARTMENT OF TRANSPORTATION	CONCRETE GUTTER, TYPE A DETAIL	F.A.S. RTE.	SECTION	COUNTY	TOTAL SHEETS	SHEET NO.
c:\pwwork\pwwork\waterale\d0174276\d87670-aht-plan.dgn	DRAWN -	REVISED -	739			501, 502 RS-5	GREENE	19	19	
PLOT SCALE = 1/8" = 1' / IN.	CHECKED -	REVISED -	CONTRACT NO. 76D70							
PLOT DATE = 3/18/2010	DATE -	REVISED -	FED. ROAD DIST. NO. 8 ILLINOIS FED. AID PROJECT							
						SCALE: -----	SHEET NO. 1 OF 1 SHEETS	STA. ----- TO STA. -----		