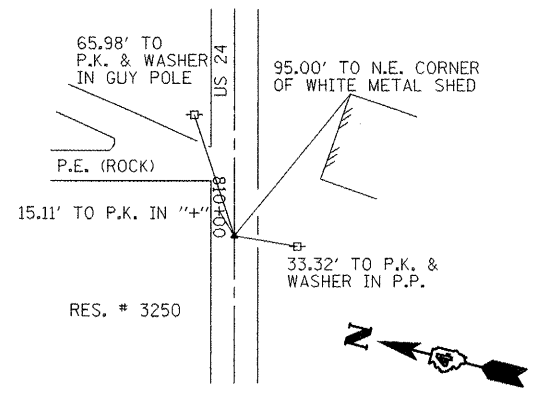
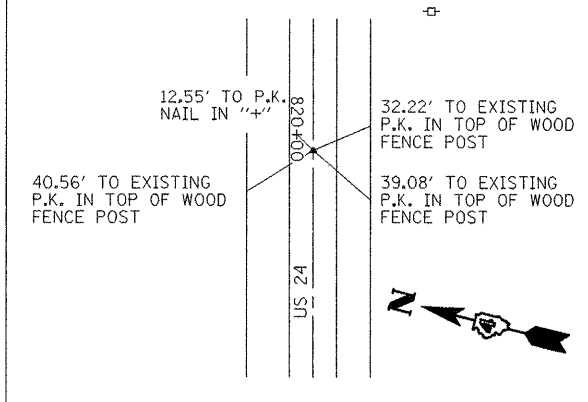


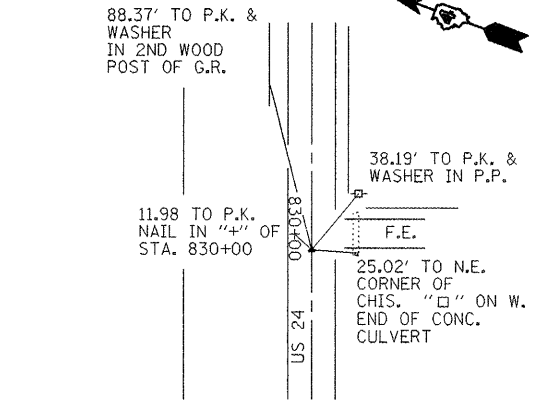
NOTE: SET P.K. NAIL AT EACH LOCATION



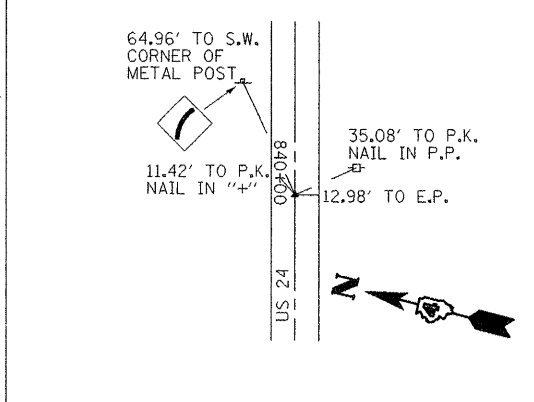
P.O.T. STA. 810+00.00



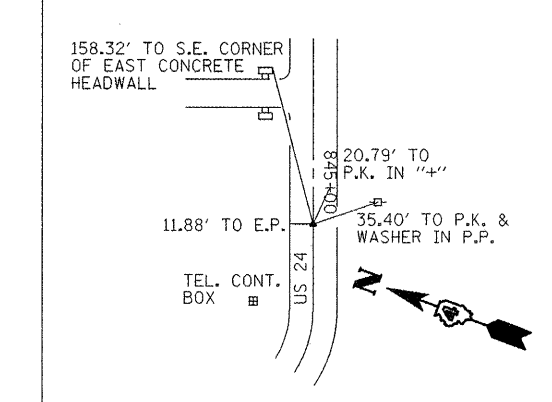
P.O.T. STA. 820+00.00



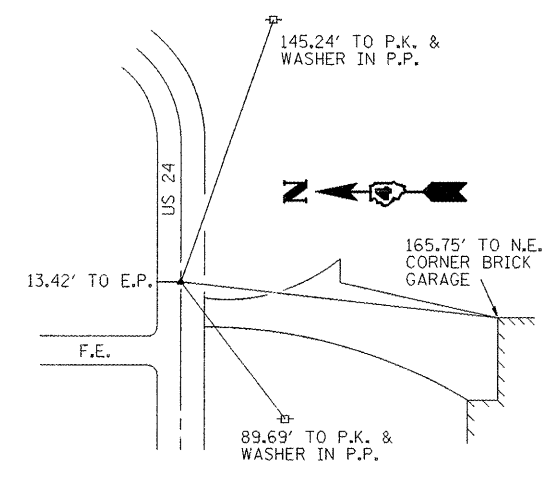
P.O.T. STA. 830+00



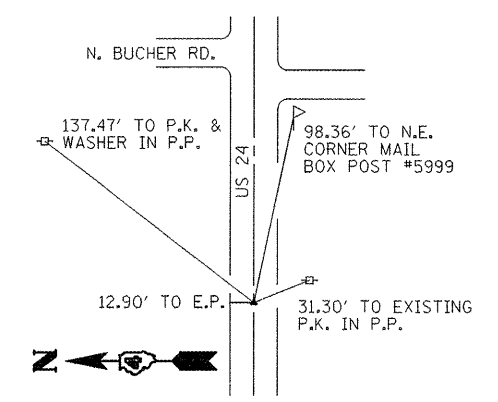
P.O.T. STA. 840+00.00



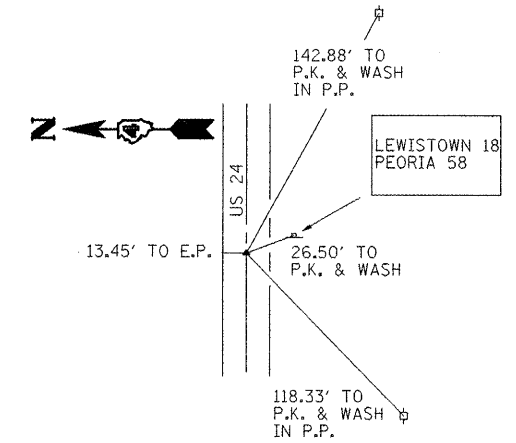
P.C. STA. 845+15.12



P.T. STA. 856+30.17



P.O.T. STA. 865+00.00



P.O.T. STA. 871+50.00

BENCHMARKS/TEMPORARY BENCHMARKS

NAME	ELEV.	DESCRIPTION
TBM - 55	707.837	"No Mark", N.E. corner of front door stoop on sandstone + brick one-sty. home, S. side of IL. Rt. 24, 0.12 mi. East of Bucher Rd.
TBM - 56	662.335	Chisled "X" on top of the westerly end of a 24" dia. R.C.C.P., under F.E., S. side of IL. RT. 24, 422' +/- E. of Apple Orchard Rd.
TBM - 57	653.798	"No Mark", S.E. corner of 3' wide sidewalk, on S. side of a 15'x15' white-sided shed, in front yard of a brick one-sty. home, at IL. RT. 24 & CO 2 (700E) road to Ipava.
U.S.G.S B.M. 10 TGL 1976	652.257	Fnd. Brass disk set in concrete slab over well, U.S.G.S. 10 TGL 1976.
TBM - 58	658.801	Chisled "X" in center of conc. headwall, S. side of F.E., W. side of IL. RT. 24, 0.5 mi +/- N. of CO 2 (700 E), @ pav't. Sta 774+64 +/-, 20' +/- W. of centerline.
TBM - 59	639.201	Chisled "X" on top of southerly end of 24" dia. CMP, 350' +/- west of the "T" int. of IL. RT. 24 & Clayton Ln. (410 N) along Clayton Ln.
TBM - 60	638.586	Chisled "X" on S. cap bolt of existing fire hydr. @ pav't. Sta. 709+70 +/-, 60' +/- W. of pav't centerline on IL. RT. 24.
TBM - 61	633.592	Apex top of ROW mon @ pav't. Sta. 684+91 +/-, 31' +/- E. of pav't. centerline.

FILE NAME = miscellaneous\_sheets.dgn

USER NAME = jochums.jg	DESIGNED -	REVISED -
PLDT SCALE = 100.0000' / IN.	DRAWN - JGJ	REVISED -
PLDT DATE = 3/10/2010	CHECKED - KGH	REVISED -
	DATE - 08/18/08	REVISED -

STATE OF ILLINOIS  
 DEPARTMENT OF TRANSPORTATION

ALIGNMENT SURVEY TIES & BENCHMARKS

SCALE: SHEET NO. OF SHEETS STA. TO STA.

F.A.P. RTE.	SECTION	COUNTY	TOTAL SHEETS	SHEET NO.
317	16W-2,RS-4;17W-1,RS-3	FULTON	240	35
FED. ROAD DIST. NO. ILLINOIS FED. AID PROJECT			CONTRACT NO. 88703	