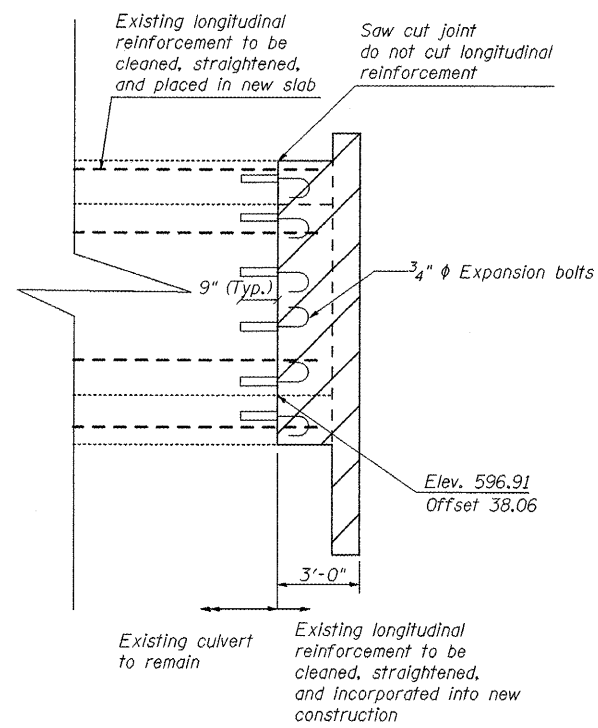
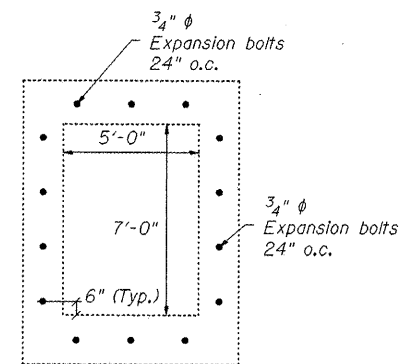


EAST CULVERT EXTENSION



WEST CULVERT EXTENSION



SECTION THRU EXISTING BARREL

LEGEND

= Concrete Removal

NOTES

If Resident Engineer determines existing rebar is in good condition, the j-bolts may be excluded from this contract.

FILE NAME = miscellaneous.sheets.dgn	USER NAME = jochums.jg	DESIGNED - KJH	REVISED -
		DRAWN - JGJ	REVISED -
		CHECKED - BJT	REVISED -
		DATE - 01-05-10	REVISED -

**STATE OF ILLINOIS
DEPARTMENT OF TRANSPORTATION**

BOX CULVERT EXTENSION DETAIL STA 705+03

SCALE: SHEET NO. 2 OF 2 SHEETS STA. TO STA.

F.A.P. RTE.	SECTION	COUNTY	TOTAL SHEETS	SHEET NO.
317	16W-2,RS-4;17W-1,RS-3	FULTON	240	102
CONTRACT NO. 88703				

FED. ROAD DIST. NO. ILLINOIS FED. AID PROJECT