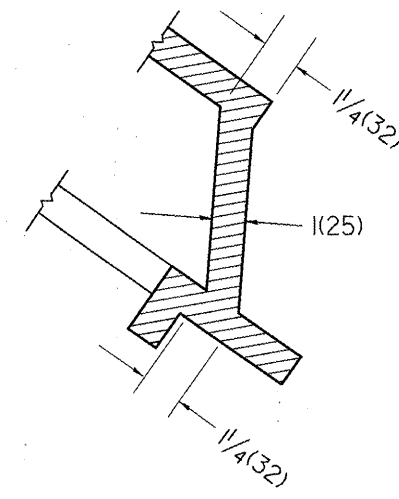
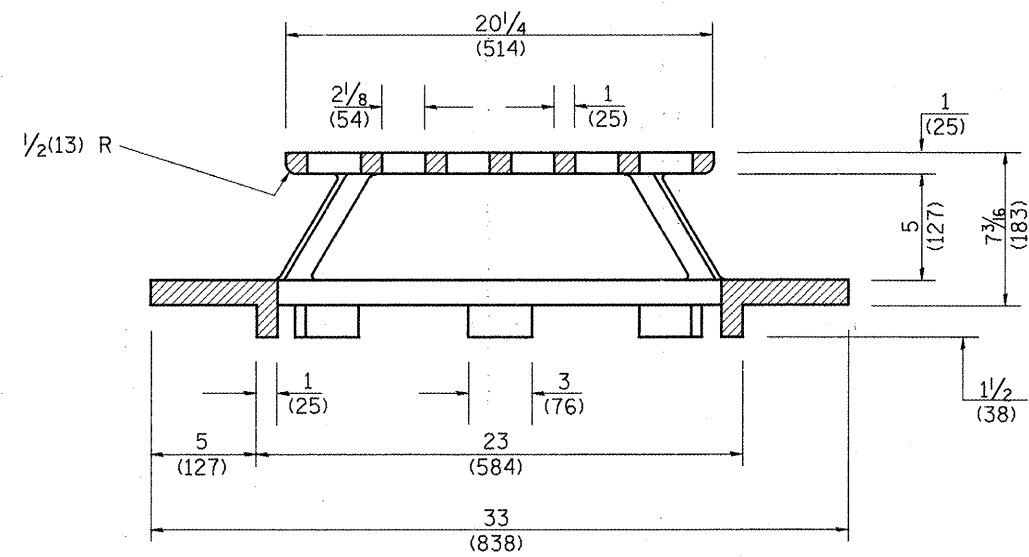


PLAN



SECTION B - B



SECTION A - A

GENERAL NOTES

1. MATERIAL - Cast Gray Iron
Weight 209 lbs (95 kg)

All dimensions are in inches (millimeters) unless otherwise noted.

01-01-97 RENUM. B-10.02, NEW REVISION BOX
10-16-06 REVISED TO 2007 SPEC.

T.P.
M.A.

STATE OF ILLINOIS
DEPARTMENT OF TRANSPORTATION

TYPE 37 GRATE

NOT TO SCALE

CADD STD. 604301-D4

F.A.P. RTE.	SECTION	COUNTY	TOTAL SHEETS	SHEET NO.
317	16W-2,RS-4;17W-1,RS-3	FULTON	240	142
CONTRACT NO. 88703				

FED. ROAD DIST. NO. ILLINOIS FED. AID PROJECT