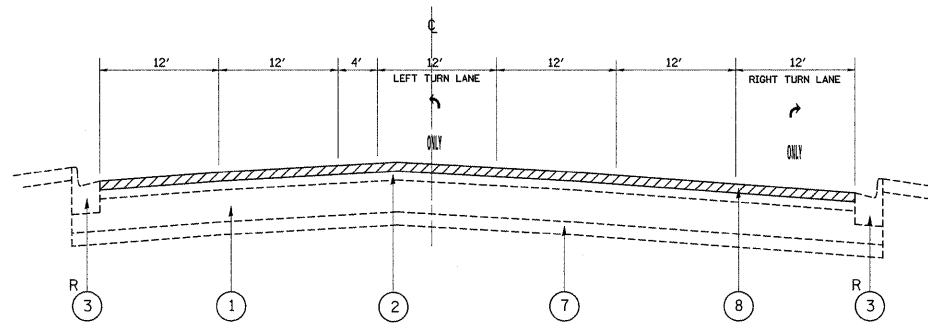


EXISTING TYPICAL CROSS SECTION
STA. 30+01 TO 42+39



EXISTING TYPICAL CROSS SECTION
STA. 42+39 TO 46+64

LEGEND:

- ① EXIST. P.C.C. PAVEMENT, ±10"
 - ② EXIST. HOT-MIX ASPHALT SURFACE, ±3"
 - ③ EXIST. COMB. CONC. CURB AND GUTTER, TYPE B-6.24
 - ④ EXIST. P.C.C. SIDEWALK
 - ⑤ EXIST. GUARDRAIL
 - ⑥ EXIST. BARRIER MEDIAN
 - ⑦ EXIST. STABILIZED SUB-BASE
 - ⑧ PROP. HOT-MIX ASPHALT SURFACE REMOVAL, 2 1/4"
 - ⑨ PROP. POLYMERIZED LEVELING BINDER (MACHINE METHOD), SUPERPAVE, IL-4.75, N50, 3/4"
 - ⑩ PROP. HOT-MIX ASPHALT SURFACE COURSE, MIX "D", N70, 1 1/2"
 - ⑪ PROP. STEEL PLATE BEAM GUARDRAIL, TYPE A
- R CURB AND GUTTER REMOVAL AND REPLACEMENT
(LOCATION AS DIRECTED BY THE ENGINEER)

| | | | | | | | | | | | |
|--------------------------------------------------------|-----------------------|------------|-----------------------------------------------------|-----------------------------------------------------------|----------------------------------------------------------------------------------------|--|-----------------------|-----------------------|----------------|-----------------------|-------------------|
| FILE NAME = c:\pw\work\p\pidot\stedpa\00129332\0150 | USER NAME = stedpa | DESIGNED - | REVISED - | STATE OF ILLINOIS DEPARTMENT OF TRANSPORTATION | EXISTING AND PROPOSED TYPICAL SECTIONS IL 1 (HALSTED ST.)--RIDGE RD. TO STRIEFF LN. | | F.A.P. RTE. 876 | SECTION 161 Y-RS 3 | COUNTY COOK | TOTAL SHEETS 26 | SHEET NO. 5 |
| PLOT SCALE = 49.9999 ' / IN. | CHECKED - | REVISED - | SCALE: | | | | SHEET NO. | OF | SHEETS | STA. | TO STA. |
| PLOT DATE = 3/31/2009 | DATE - | REVISED - | FED. ROAD DIST. NO. 1 ILLINOIS FED. AID PROJECT | | | | | | | | |