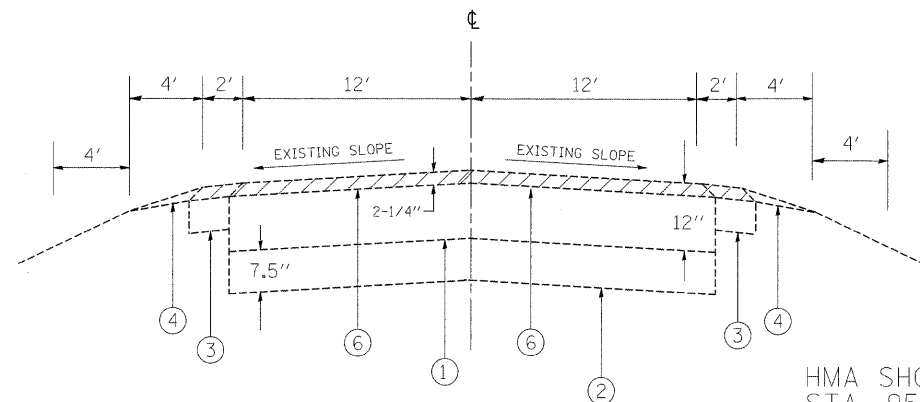


IL 53 (COLUMBINE AVE)



HMA SHOULDER:
 STA. 931+00 - STA. 951+00
 STA. 960+00 - STA. 967+64

AGGREGATE SHOULDER:
 STA. 954+94 - STA. 963+00

HMA SHOULDER:
 STA. 959+10 - STA. 967+64

AGGREGATE SHOULDER:
 STA. 931+00 - STA. 959+10

EXISTING TYPICAL SECTION
 STA. 931+00 TO STA. 951+00
 STA. 954+94 TO STA. 967+64

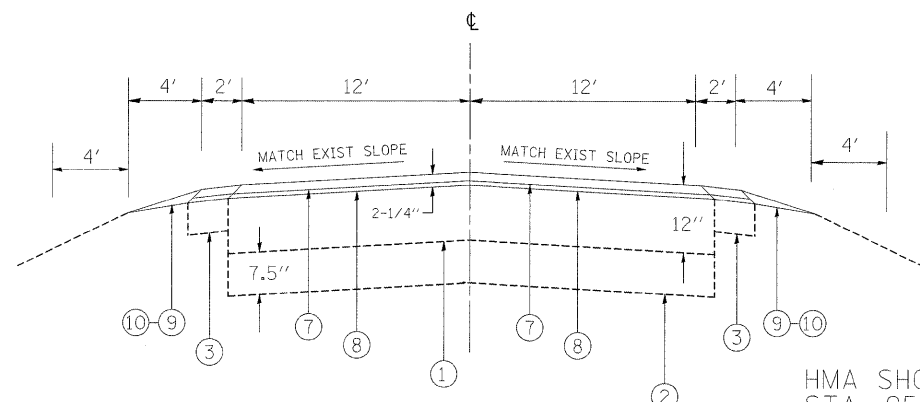
LEGEND

- 1 EXISTING HMA, 12"
- 2 EXISTING PCC, 7.5"
- 3 EXISTING HMA SHOULDER
- 4 EXISTING AGGREGATE SHOULDER
- 5 EXISTING COMBINATION CONCRETE CURB AND GUTTER
- 6 PROPOSED HMA SURFACE REMOVAL, 2 1/4"
- 7 PROPOSED HMA SURFACE COURSE, MIX "D", N70, 1 1/2"
- 8 PROPOSED POLYMERIZED LEVELING BINDER (mm), IL-4.75, N50, 3/4"
- 9 PROPOSED AGGREGATE WEDGE SHOULDER, TYPE B
- 10 PROPOSED GRADING & SHAPING SHOULDERS
- 11 PROPOSED CURB & GUTTER REMOVAL & REPLACEMENT

* TO BE DETERMINE BY THE ENGINEER IN THE FIELD.

NOTE:
 "THE CONTRACTOR SHALL MILL FIRST PRIOR TO PATCHING".

IL 53 (COLUMBINE AVE)



HMA SHOULDER:
 STA. 931+00 - STA. 951+00
 STA. 960+00 - STA. 967+64

AGGREGATE SHOULDER:
 STA. 954+94 - STA. 963+00

HMA SHOULDER:
 STA. 959+10 - STA. 967+64

AGGREGATE SHOULDER:
 STA. 931+00 - STA. 959+10

PROPOSED TYPICAL SECTION
 STA. 931+00 TO STA. 951+00
 STA. 954+94 TO STA. 967+64

FILE NAME =	USER NAME = galbannb	DESIGNED -	REVISED -	STATE OF ILLINOIS DEPARTMENT OF TRANSPORTATION	IL RTE. 53 (MADISON STREET TO BRYANT AVENUE) EXISTING AND PROPOSED TYPICAL SECTIONS	F.A.P. RTE.	SECTION	COUNTY	TOTAL SHEETS	SHEET NO.
ct:\pwwork\pwwid\GALBANNB\d0107599\sh...	dwg.dgn	DRAWN -	REVISED -			870	533-X-RS-5	DUPAGE	25	9
PLOT SCALE = 50.0000' / IN.	CHECKED -	REVISED -	REVISED -			CONTRACT NO. 60E71				
PLOT DATE = 3/30/2009	DATE -	REVISED -	REVISED -			SCALE:	SHEET NO. OF SHEETS	STA. TO STA.	FED. ROAD DIST. NO.	ILLINOIS FED. AID PROJECT