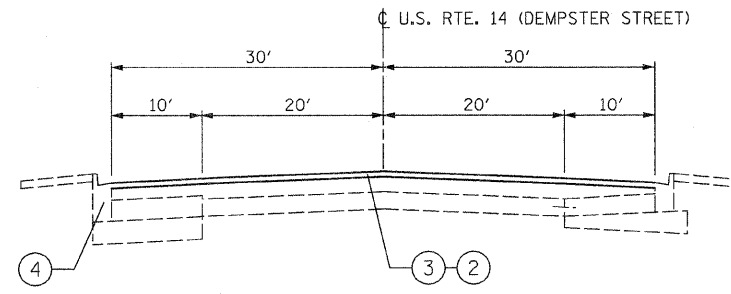
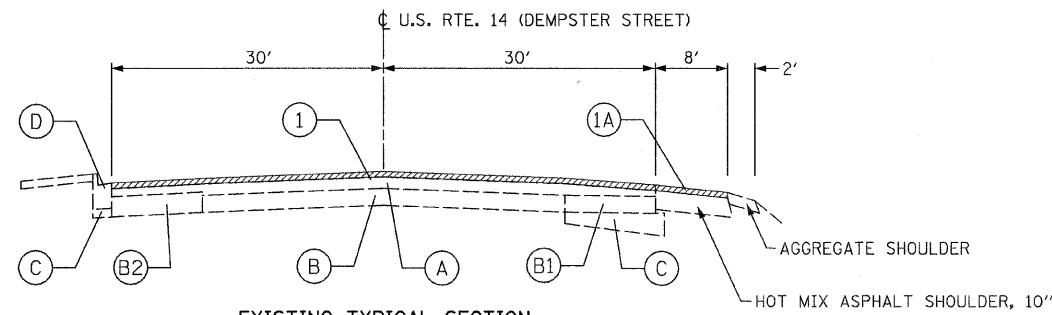


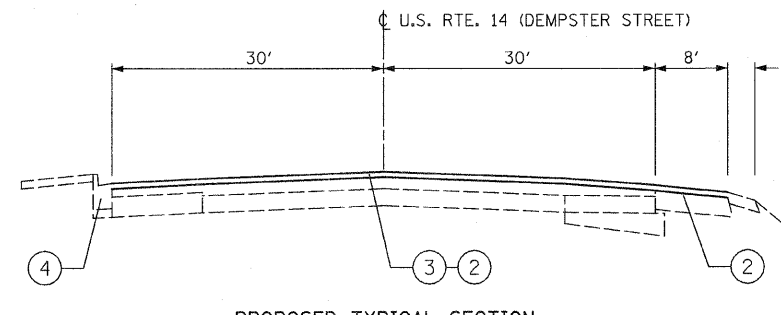
EXISTING TYPICAL SECTION
STA. 101+93 TO STA 109+89



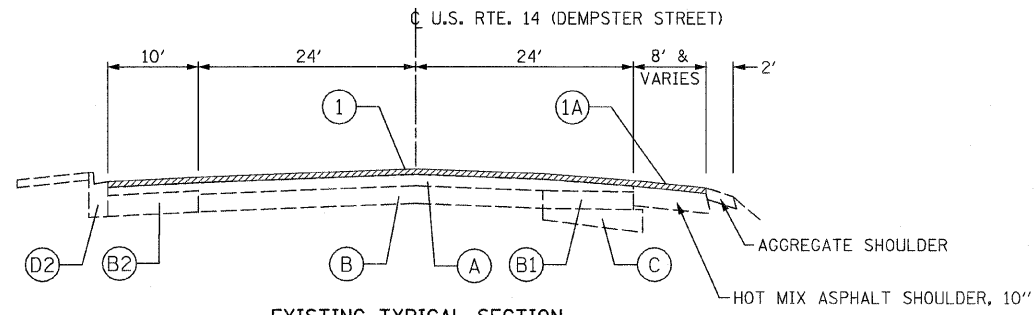
PROPOSED TYPICAL SECTION
STA. 101+93 TO STA 109+89



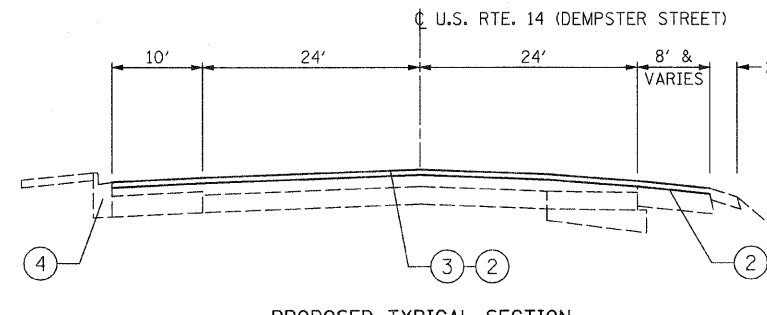
EXISTING TYPICAL SECTION
STA. 109+89 TO STA 113+65



PROPOSED TYPICAL SECTION
STA. 109+89 TO STA 113+65



EXISTING TYPICAL SECTION
STA. 113+65 TO STA 121+04



PROPOSED TYPICAL SECTION
STA. 113+65 TO STA 121+04

EXISTING CONDITIONS:

- Ⓐ HOT-MIX ASPHALT SURFACE AND BINDER COURSE, 5", 7" & VARIES
- Ⓑ P.C. CONCRETE PAVEMENT, 9"
- Ⓑ1 P.C. CONCRETE BASE COURSE, 8' OR 9"
- Ⓑ2 HOT MIX ASPHALT BASE COURSE, 12"
- Ⓑ3 HOT MIX ASPHALT PAVEMENT (FULL DEPTH), 15½"
- Ⓑ4 HOT MIX ASPHALT PAVEMENT (FULL DEPTH), 15¾"
- Ⓑ5 HOT MIX ASPHALT PAVEMENT (FULL DEPTH)
- Ⓒ AGGREGATE SUBGRADE, 4", 6" AND VARIES
- Ⓒ1 AGGREGATE SUBGRADE, 12"
- Ⓓ COMBINATION CONCRETE CURB & GUTTER, TYPE B-6.24
- Ⓓ1 COMBINATION CONCRETE CURB & GUTTER, TYPE B-6.18
- Ⓓ2 COMBINATION CONCRETE CURB & GUTTER, TYPE B-6.12
- Ⓔ CONCRETE MEDIAN, TYPE SB-6.06
- Ⓔ1 CONCRETE MEDIAN, TYPE SB-6.12
- Ⓔ2 CONCRETE MEDIAN, TYPE SM-2.12
- Ⓕ TIE BAR

PROPOSED IMPROVEMENTS:

- ① HOT-MIX ASPHALT SURFACE REMOVAL, 2½"
- ①A HOT-MIX ASPHALT SURFACE REMOVAL, 1¾"
- ② POLYMERIZED HOT-MIX ASPHALT SURFACE COURSE, MIX "F", N90, 1¾"
- ③ POLYMERIZED LEVELING BINDER (MACHINE METHOD), IL-4.75, N50, ¾"
- ④ COMB. CONC. CURB AND GUTTER REMOVAL AND REPLACEMENT (LOCATION AS DETERMINED BY THE ENGINEER)

NOTE:

THE CONTRACTOR SHALL MILL FIRST BEFORE PATCHING.

FILE NAME = D160F26-sh-typ001.dgn
PLOT DATE = 3/30/2009

CHRISTIAN-ROGE & ASSOCIATES, INC.
ENGINEERS-PLANNERS-SURVEYORS
211 WEST WACKER DRIVE
CHICAGO, ILLINOIS 60606
PHONE: (312)372-2023 FAX: (312)372-5274

DESIGNED - G.F.L.	REVISED -
DRAWN - B.K.	REVISED -
CHECKED - M.P.	REVISED -
DATE - MARCH 2009	REVISED -

STATE OF ILLINOIS
DEPARTMENT OF TRANSPORTATION

TYPICAL SECTIONS
US 14 (DEMPSTER STREET) GRACE AVE. TO ILL 43 (WAUKEGAN RD.)

SCALE: NONE SHEET NO. 1 OF 3 SHEETS STA. 101+93 TO STA. 121+04

F.A.U. RTE.	SECTION	COUNTY	TOTAL SHEETS	SHEET NO.
1324	3228 D-Z-Y-RS-1	COOK	32	4
CONTRACT NO. 60F26				
FED. ROAD DIST. NO. 1 ILLINOIS FED. AID PROJECT				