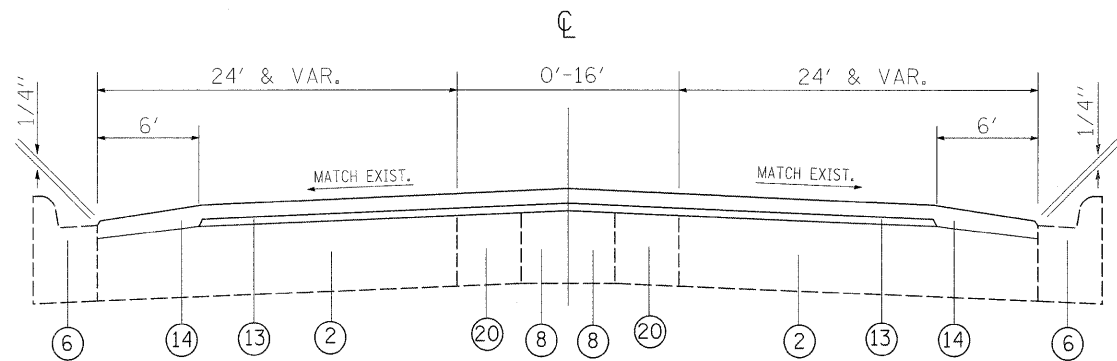
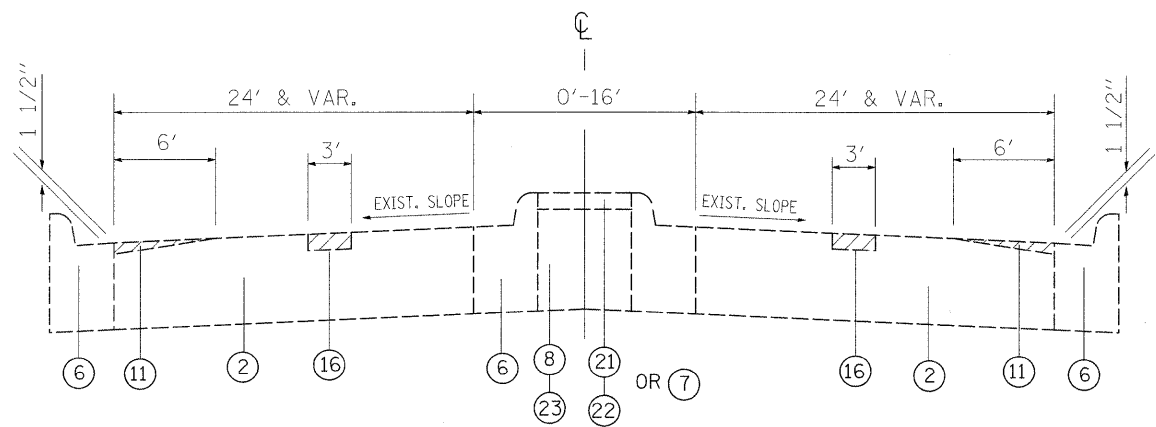


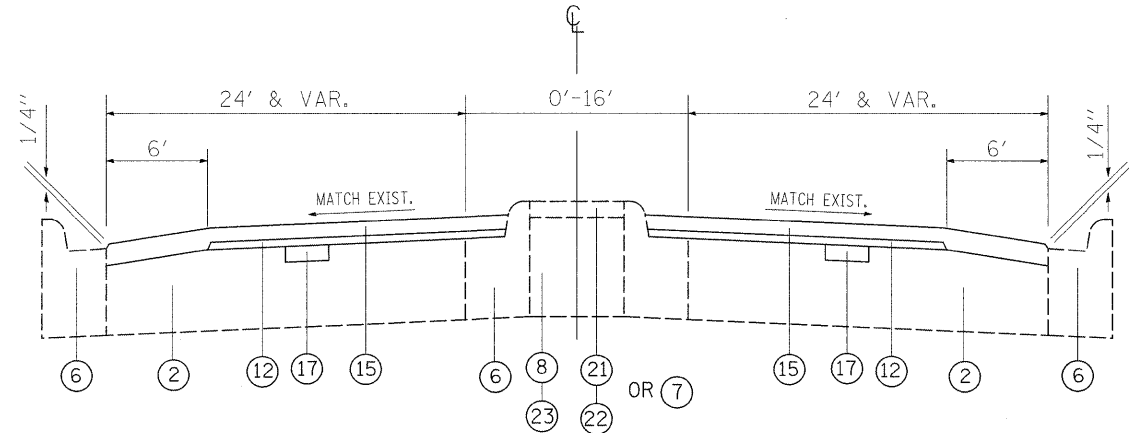
EXISTING TYPICAL SECTION
IL ROUTE 58 (GOLF ROAD)
STA. 48+70 TO STA. 58+60



PROPOSED TYPICAL SECTION
IL ROUTE 58 (GOLF ROAD)
STA. 48+70 TO STA. 58+60



EXISTING TYPICAL SECTION
IL ROUTE 58 (GOLF ROAD)
STA. 142+72 TO STA. 145+57
STA. 147+76 TO STA. 182+15



PROPOSED TYPICAL SECTION
IL ROUTE 58 (GOLF ROAD)
STA. 142+72 TO STA. 145+57
STA. 147+76 TO STA. 182+15

LEGEND

- ① EXISTING P.C.C. PAVEMENT, 8" (+/-)
 - ② EXISTING P.C.C. PAVEMENT, 11" (+/-)
 - ③ EXISTING P.C.C. WIDENING
 - ④ EXISTING HMA SURFACE COURSE, 10" (+/-)
 - ⑤ EXISTING AGGREGATE SHOULDER
 - ⑥ EXISTING CONCRETED CURB & GUTTER
 - ⑦ EXISTING CONCRETE CORRUGATED MEDIAN
 - ⑧ EXISTING STABILIZED MEDIAN
 - ⑨ PROPOSED HMA SURFACE REMOVAL, 2"
 - ⑩ PROPOSED HMA SURFACE REMOVAL, 2 1/4 "
 - **⑪ PROPOSED PCC SURFACE REMOVAL (VARIABLE DEPTH), 6' WIDE
 - ⑫ PROPOSED POLYMERIZED LEVELING BINDER (MACHINE METHOD), IL-4.75, N50, 3/4 "
 - ⑬ PROPOSED POLYMERIZED LEVELING BINDER (MACHINE METHOD), IL-4.75, N50, 1"
 - ⑭ PROPOSED HMA SURFACE COURSE, MIX "D", N70, 1 1/2 "
 - ⑮ PROPOSED POLYMERIZED HMA SURFACE COURSE, MIX "F", N90, 1 3/4 "
 - ⑯ PROPOSED PARTIAL DEPTH REMOVAL, 3"
 - ⑰ PROPOSED HMA BINDER COURSE, IL-19, N70
 - ⑱ PROPOSED AGGREGATE WEDGE SHOULDER, TYPE B
 - ⑲ PROPOSED CURB CUT
 - ⑳ EXISTING MEDIAN AFTER CURB CUT
 - ㉑ EXISTING CONCRETE MEDIAN SURFACE
 - ㉒ EXISTING TOP SOIL AND SEEDING
 - ㉓ EXISTING SANDFILL OR EARTH FILL
- * NOTE: CONTRACTOR SHALL MILL FIRST BEFORE PATCHING
** NOTE: SEE HMA TAPER AT EDGE OF PCC PAVEMENT DETAIL BD-33

FILE NAME = c:\pw_work\p\WIDOT\SHIRANISB\dms89151\sh...	USER NAME = shiranisb dwg.dgn	DESIGNED - DRAWN -	REVISED - REVISED -	STATE OF ILLINOIS DEPARTMENT OF TRANSPORTATION	EXISTING AND PROPOSED TYPICAL SECTIONS IL 58 (GOLF ROAD)/IL 59 (SUTTON RD.) TO WINDSONG DR.				F.A.P. RTE. 559	SECTION 581 RS-2	COUNTY COOK	TOTAL SHEETS 26	SHEET NO. 6
	PLOT SCALE = 50.0000 ' / IN.	CHECKED -	REVISED -		SCALE:	SHEET NO.	OF	SHEETS	STA.	TO STA.	CONTRACT NO. 60F36		
	PLOT DATE = 3/30/2009	DATE -	REVISED -		FED. ROAD DIST. NO. ILLINOIS FED. AID PROJECT								