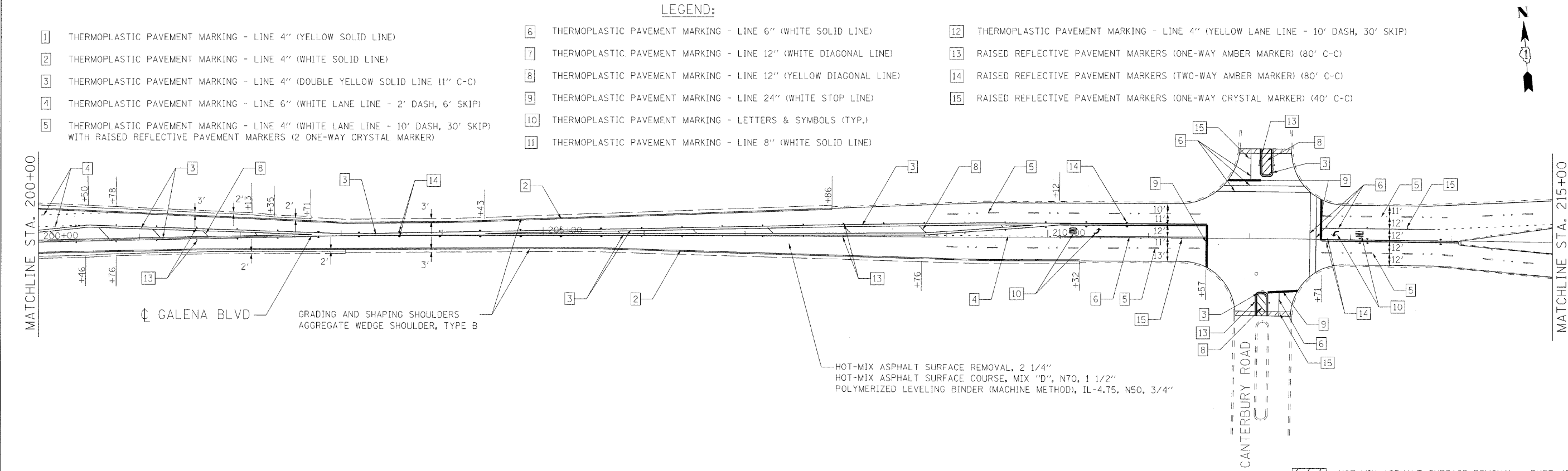
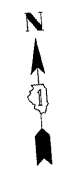


- LEGEND:**
- 1 THERMOPLASTIC PAVEMENT MARKING - LINE 4" (YELLOW SOLID LINE)
 - 2 THERMOPLASTIC PAVEMENT MARKING - LINE 4" (WHITE SOLID LINE)
 - 3 THERMOPLASTIC PAVEMENT MARKING - LINE 4" (DOUBLE YELLOW SOLID LINE 11" C-C)
 - 4 THERMOPLASTIC PAVEMENT MARKING - LINE 6" (WHITE LANE LINE - 2' DASH, 6' SKIP)
 - 5 THERMOPLASTIC PAVEMENT MARKING - LINE 4" (WHITE LANE LINE - 10' DASH, 30' SKIP) WITH RAISED REFLECTIVE PAVEMENT MARKERS (2 ONE-WAY CRYSTAL MARKER)
 - 6 THERMOPLASTIC PAVEMENT MARKING - LINE 6" (WHITE SOLID LINE)
 - 7 THERMOPLASTIC PAVEMENT MARKING - LINE 12" (WHITE DIAGONAL LINE)
 - 8 THERMOPLASTIC PAVEMENT MARKING - LINE 12" (YELLOW DIAGONAL LINE)
 - 9 THERMOPLASTIC PAVEMENT MARKING - LINE 24" (WHITE STOP LINE)
 - 10 THERMOPLASTIC PAVEMENT MARKING - LETTERS & SYMBOLS (TYP.)
 - 11 THERMOPLASTIC PAVEMENT MARKING - LINE 8" (WHITE SOLID LINE)
 - 12 THERMOPLASTIC PAVEMENT MARKING - LINE 4" (YELLOW LANE LINE - 10' DASH, 30' SKIP)
 - 13 RAISED REFLECTIVE PAVEMENT MARKERS (ONE-WAY AMBER MARKER) (80' C-C)
 - 14 RAISED REFLECTIVE PAVEMENT MARKERS (TWO-WAY AMBER MARKER) (80' C-C)
 - 15 RAISED REFLECTIVE PAVEMENT MARKERS (ONE-WAY CRYSTAL MARKER) (40' C-C)
- HOT-MIX ASPHALT SURFACE REMOVAL - BUTT JOINT
TEMPORARY RAMP



- LEGEND:**
- 1 THERMOPLASTIC PAVEMENT MARKING - LINE 4" (YELLOW SOLID LINE)
 - 2 THERMOPLASTIC PAVEMENT MARKING - LINE 4" (WHITE SOLID LINE)
 - 3 THERMOPLASTIC PAVEMENT MARKING - LINE 4" (DOUBLE YELLOW SOLID LINE 11" C-C)
 - 4 THERMOPLASTIC PAVEMENT MARKING - LINE 6" (WHITE LANE LINE - 2' DASH, 6' SKIP)
 - 5 THERMOPLASTIC PAVEMENT MARKING - LINE 4" (WHITE LANE LINE - 10' DASH, 30' SKIP) WITH RAISED REFLECTIVE PAVEMENT MARKERS (2 ONE-WAY CRYSTAL MARKER)
 - 6 THERMOPLASTIC PAVEMENT MARKING - LINE 6" (WHITE SOLID LINE)
 - 7 THERMOPLASTIC PAVEMENT MARKING - LINE 12" (WHITE DIAGONAL LINE)
 - 8 THERMOPLASTIC PAVEMENT MARKING - LINE 12" (YELLOW DIAGONAL LINE)
 - 9 THERMOPLASTIC PAVEMENT MARKING - LINE 24" (WHITE STOP LINE)
 - 10 THERMOPLASTIC PAVEMENT MARKING - LETTERS & SYMBOLS (TYP.)
 - 11 THERMOPLASTIC PAVEMENT MARKING - LINE 8" (WHITE SOLID LINE)
 - 12 THERMOPLASTIC PAVEMENT MARKING - LINE 4" (YELLOW LANE LINE - 10' DASH, 30' SKIP)
 - 13 RAISED REFLECTIVE PAVEMENT MARKERS (ONE-WAY AMBER MARKER) (80' C-C)
 - 14 RAISED REFLECTIVE PAVEMENT MARKERS (TWO-WAY AMBER MARKER) (80' C-C)
 - 15 RAISED REFLECTIVE PAVEMENT MARKERS (ONE-WAY CRYSTAL MARKER) (40' C-C)
- HOT-MIX ASPHALT SURFACE REMOVAL - BUTT JOINT
TEMPORARY RAMP

FILE NAME: N:\PROJ\3366\3366_10\Design\Proposed\Plan\2259_10_06_Proposed.dgn

Ciorba Group, Inc.
CONSULTING ENGINEERS
5507 North Cumberland Avenue, Suite 402
Chicago, Illinois 60656
Tel. 773.775.4009 Fax 773.775.4014

USER NAME = dmw	DESIGNED - MWR	REVISED -
PLOT SCALE = 50.0000 1/2 IN.	DRAWN - MWR	REVISED -
PLOT DATE = 4/2/2009	CHECKED - WBL	REVISED -
	DATE - 4/2/09	REVISED -

**STATE OF ILLINOIS
DEPARTMENT OF TRANSPORTATION**

**GALENA BOULEVARD
IL 56 (BUTTERFIELD ROAD) TO CANTERBURY ROAD
PROPOSED ROADWAY AND PAVEMENT MARKING PLAN**

SCALE: 1" = 50' SHEET NO. 8 OF 22 SHEETS STA. 185+00 TO STA. 215+00

F.A.U. RTE.	SECTION	COUNTY	TOTAL SHEETS	SHEET NO.
1521	W-RS-4	KANE	22	8
CONTRACT NO. 60F45				
FED. ROAD DIST. NO. 1 ILLINOIS FED. AID PROJECT				