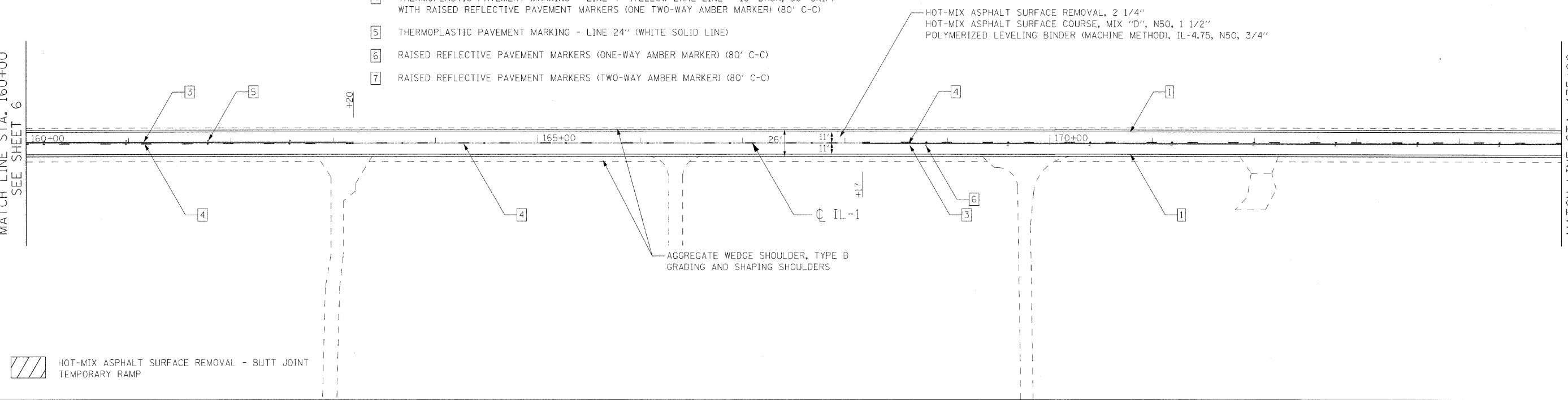


LEGEND:

- 1 THERMOPLASTIC PAVEMENT MARKING - LINE 4" (WHITE EDGE LINE)
- 2 THERMOPLASTIC PAVEMENT MARKING - LINE 4" (DOUBLE YELLOW SOLID LINE 11" C-C)
- 3 THERMOPLASTIC PAVEMENT MARKING - LINE 4" (YELLOW SOLID LINE)
- 4 THERMOPLASTIC PAVEMENT MARKING - LINE 4" (YELLOW LANE LINE - 10' DASH, 30' SKIP) WITH RAISED REFLECTIVE PAVEMENT MARKERS (ONE TWO-WAY AMBER MARKER) (80' C-C)
- 5 THERMOPLASTIC PAVEMENT MARKING - LINE 24" (WHITE SOLID LINE)
- 6 RAISED REFLECTIVE PAVEMENT MARKERS (ONE-WAY AMBER MARKER) (80' C-C)
- 7 RAISED REFLECTIVE PAVEMENT MARKERS (TWO-WAY AMBER MARKER) (80' C-C)

MATCH LINE STA. 160+00
SEE SHEET 6

MATCH LINE STA. 175+00



HOT-MIX ASPHALT SURFACE REMOVAL - BUTT JOINT
TEMPORARY RAMP

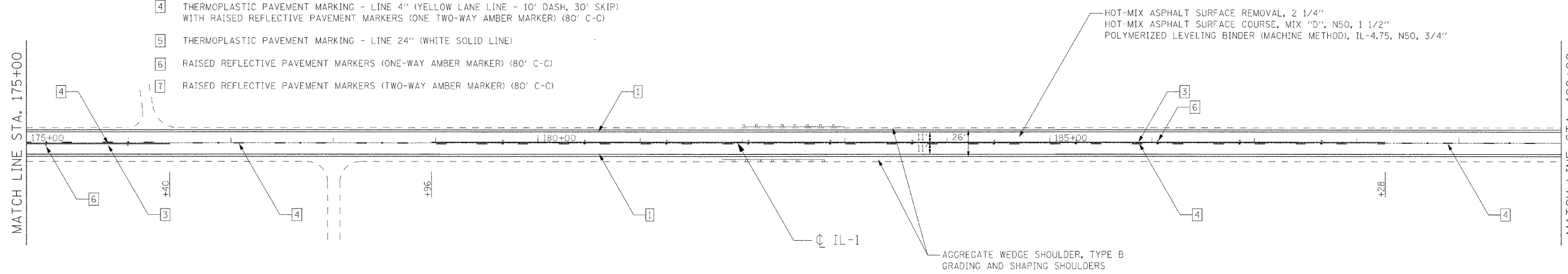


LEGEND:

- 1 THERMOPLASTIC PAVEMENT MARKING - LINE 4" (WHITE EDGE LINE)
- 2 THERMOPLASTIC PAVEMENT MARKING - LINE 4" (DOUBLE YELLOW SOLID LINE 11" C-C)
- 3 THERMOPLASTIC PAVEMENT MARKING - LINE 4" (YELLOW SOLID LINE)
- 4 THERMOPLASTIC PAVEMENT MARKING - LINE 4" (YELLOW LANE LINE - 10' DASH, 30' SKIP) WITH RAISED REFLECTIVE PAVEMENT MARKERS (ONE TWO-WAY AMBER MARKER) (80' C-C)
- 5 THERMOPLASTIC PAVEMENT MARKING - LINE 24" (WHITE SOLID LINE)
- 6 RAISED REFLECTIVE PAVEMENT MARKERS (ONE-WAY AMBER MARKER) (80' C-C)
- 7 RAISED REFLECTIVE PAVEMENT MARKERS (TWO-WAY AMBER MARKER) (80' C-C)

MATCH LINE STA. 175+00
SEE SHEET 6

MATCH LINE STA. 190+00
SEE SHEET 8



HOT-MIX ASPHALT SURFACE REMOVAL - BUTT JOINT
TEMPORARY RAMP

FILE NAME = r:\p\proj\3366\3366.dgn

Ciorba Group, Inc.
CONSULTING ENGINEERS
5507 North Cumberland Avenue, Suite 402
Chicago, Illinois 60656
Tel. 773.775.4009 Fax 773.775.4014

USER NAME = mready	DESIGNED - RJR	REVISED -
PLOT SCALE = 50,0000' / IN.	DRAWN - RJR	REVISED -
PLOT DATE = 3/30/2009	CHECKED - MJL	REVISED -
	DATE - 3/31/2009	REVISED -

**STATE OF ILLINOIS
DEPARTMENT OF TRANSPORTATION**

**IL-1
PASADENA AVE TO KANKAKEE COUNTY LINE
PROPOSED ROADWAY AND PAVEMENT MARKING PLAN**

F.A.P. RTE.	SECTION	COUNTY	TOTAL SHEETS	SHEET NO.
332	8 Y-RS-4	WILL	16	7
FED. ROAD DIST. NO. 1 ILLINOIS FED. AID PROJECT			CONTRACT NO. 60G35	

SCALE: SHEET NO. 7 OF 16 SHEETS STA. 160+00 TO STA. 190+00