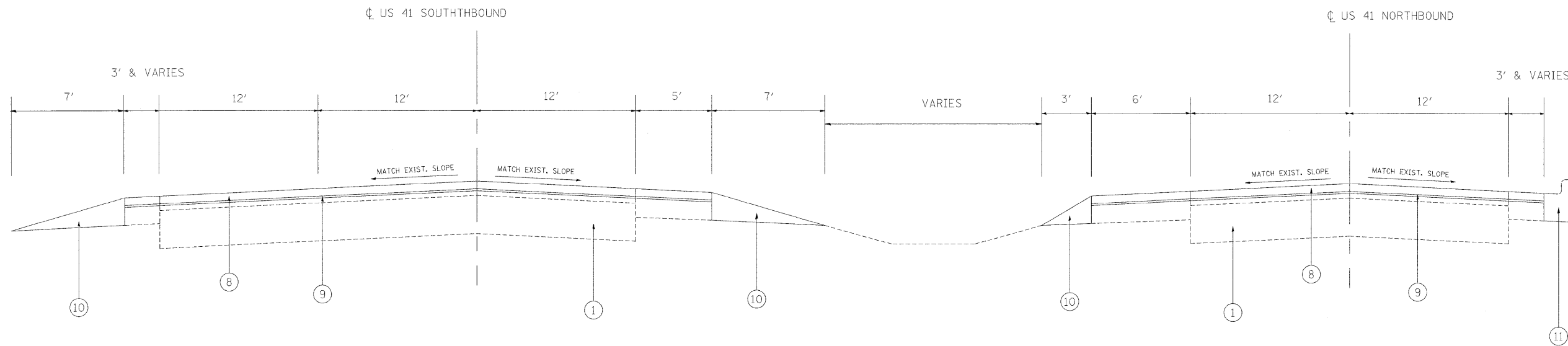


EXISTING TYPICAL SECTION
US 41 (SKOKIE HWY)

STATION: 114+37 TO 118+43 (NB)
213+43 TO 218+44 (SB)



PROPOSED TYPICAL SECTION
US 41 (SKOKIE HWY)

STATION: 114+37 TO 118+43 (NB)
213+43 TO 218+44 (SB)

| | | | | | | | | | | | | | |
|---------------------------------------|-----------------------------|------------|-----------|---|--|-----------|-----------|------|-----------------|--------------------|-------------|--------------|-------------|
| FILE NAME = | USER NAME = ouky | DESIGNED - | REVISED - | STATE OF ILLINOIS DEPARTMENT OF TRANSPORTATION | TYPICAL SECTIONS FOR US ROUTE 41 FROM S. OF WAUKEGAN RD. TO S. OF BELVIDERE RD. | | | | F.A.P. RTE. 346 | SECTION 125 R-RS-5 | COUNTY LAKE | TOTAL SHEETS | SHEET NO. 8 |
| c:\pwork\pwidot\ouky\d0136871\0152109 | sh-t-plan.dgn | DRAWN - | REVISED - | | SCALE: | SHEET NO. | OF SHEETS | STA. | TO STA. | CONTRACT NO. 60G65 | | | |
| | PLOT SCALE = 50.0000' / IN. | CHECKED - | REVISED - | | ILLINOIS FED. AID PROJECT | | | | | | | | |
| | PLOT DATE = 4/17/2009 | DATE - | REVISED - | | | | | | | | | | |