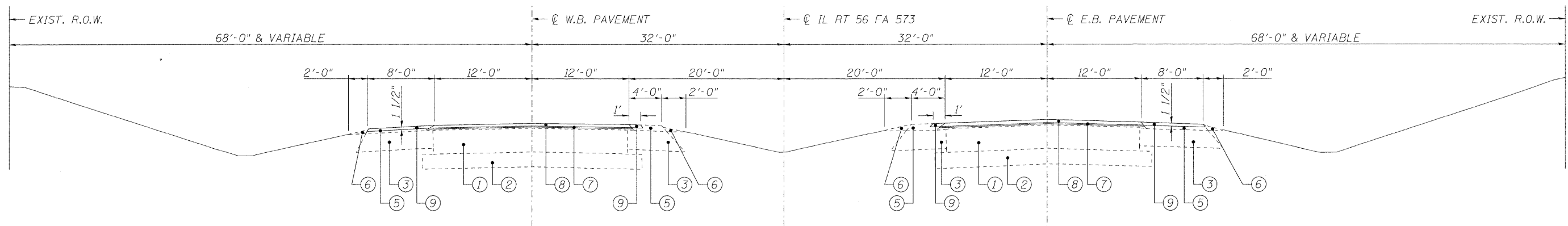
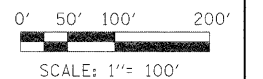


EXISTING SECTION
STA. 166+20 TO STA. 204+04

- ① EXIST. 10" REINFORCED P.C.C. PAVEMENT
- ② EXIST. 6" SUB BASE GRANULAR MATERIAL, TYPE A
- ③ EXIST. AGGREGATE SHOULDER 8"
- ④ EXIST. HMA BINDER COURSE 3-1/4" (REMOVE 2-1/2")
- ⑤ EXIST. HMA SHOULDER 3-1/4" (REMOVE 1-1/2")
- ⑥ EXIST AGGREGATE SHOULDERS, TYPE B
- ⑦ PROP. POLYMERIZED LEVELING BINDER (MACHINE METHOD), N50 (3/4")
- ⑧ PROP. HOT-MIX ASPHALT SURFACE COURSE, MIX "D", N70 (1-3/4")
- ⑨ PROP. HMA SHOULDER (1-1/2")



PROPOSED SECTION
STA. 166+20 TO STA. 204+04



LOXCO INC.
CONSULTING ENGINEERS
1560 WALL ST., SUITE 222
NAPERVILLE, ILLINOIS 60563 PH: 630/577-9100

USER NAME = *USER*	DESIGNED - MJY	REVISED -
	DRAWN - SLV	REVISED -
PLOT SCALE = *SCALE*	CHECKED - MJY	REVISED -
PLOT DATE = *DATE*	DATE - 04/22/2009	REVISED -

STATE OF ILLINOIS
DEPARTMENT OF TRANSPORTATION

EXISTING AND PROPOSED SECTIONS
IL ROUTE 56

SCALE: 1"=100' SHEET NO. 5 OF 15 SHEETS STA. 80+00 TO STA. 272+00

F.A.I. RTE.	SECTION	COUNTY	TOTAL SHEETS	SHEET NO.
573	61 S-3	KANE	15	5
C-91-530-09		CONTRACT NO. 60G74		
FED. ROAD DIST. NO.		ILLINOIS FED. AID PROJECT		