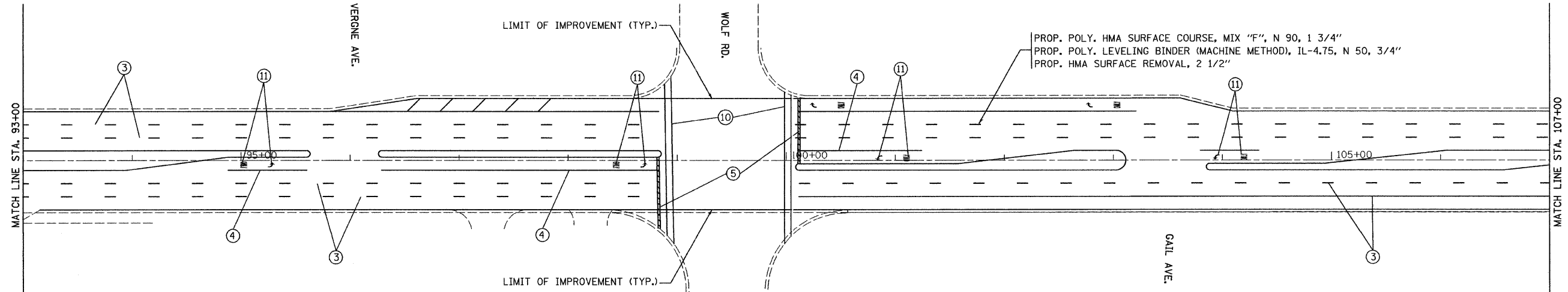


- LEGEND**
- ① 2-(4") YELLOW @ 11" C-C
  - ② (4") YELLOW EDGE LINE
  - ③ (4") WHITE LANE LINE 10' DASH 30' SKIP
  - ④ (6") WHITE TURN LANE
  - ⑤ (24") STOP LINES
  - ⑥ (8") WHITE LINE
  - ⑦ (12") YELLOW DIAGONALS
  - ⑧ (12") WHITE DIAGONALS
  - ⑨ (4") WHITE LINE
  - ⑩ (6") WHITE CROSSWALK LINE (PEDESTRIAN)
  - ⑪ LETTERS AND SYMBOLS
  - ⑫ (12") WHITE CROSSWALK LINE (SCHOOL)
  - ⑬ 6" WHITE DOTTED LINES (2' LINE WITH 6' SPACE)



**NOTE:**  
 PERMANENT PAVEMENT MARKING SHOULD BE PLACED IN ACCORDANCE WITH THE DISTRICT ONE "TYPICAL PAVEMENT MARKING DETAILS"  
 RAISED REFLECTIVE PAVEMENT MARKERS SHALL BE IN ACCORDANCE WITH THE DISTRICT ONE "TYPICAL APPLICATIONS RAISED REFLECTIVE PAVEMENT MARKERS (SNOW-PLOW RESISTANT) DETAILS"



FILE NAME = ...P1ans\p1n53309pp&mrk02.dgn	USER NAME = gthesse	DESIGNED - AJP	REVISED -	<b>STATE OF ILLINOIS DEPARTMENT OF TRANSPORTATION</b>	<b>ROADWAY AND PAVEMENT MARKING PLAN IL RTE. 64 (NORTH AVE.) DUPAGE CO. LINE TO IL 43 (HARLEM AVE.)</b>				F.A.P. RTE. 307	SECTION 541 RS-2	COUNTY COOK	TOTAL SHEETS 29	SHEET NO. 6
PLOT SCALE = 1" = 50'	CHECKED - JNR	REVISIED -	REVISIED -		SCALE: 1" = 50'	SHEET NO. OF SHEETS	STA. 79+00	TO STA. 107+00	CONTRACT NO. 60G77				
PLOT DATE = 4/17/2009	DATE - 4/16/2009	REVISIED -	REVISIED -		FED. ROAD DIST. NO. [ILLINOIS] FED. AID PROJECT								