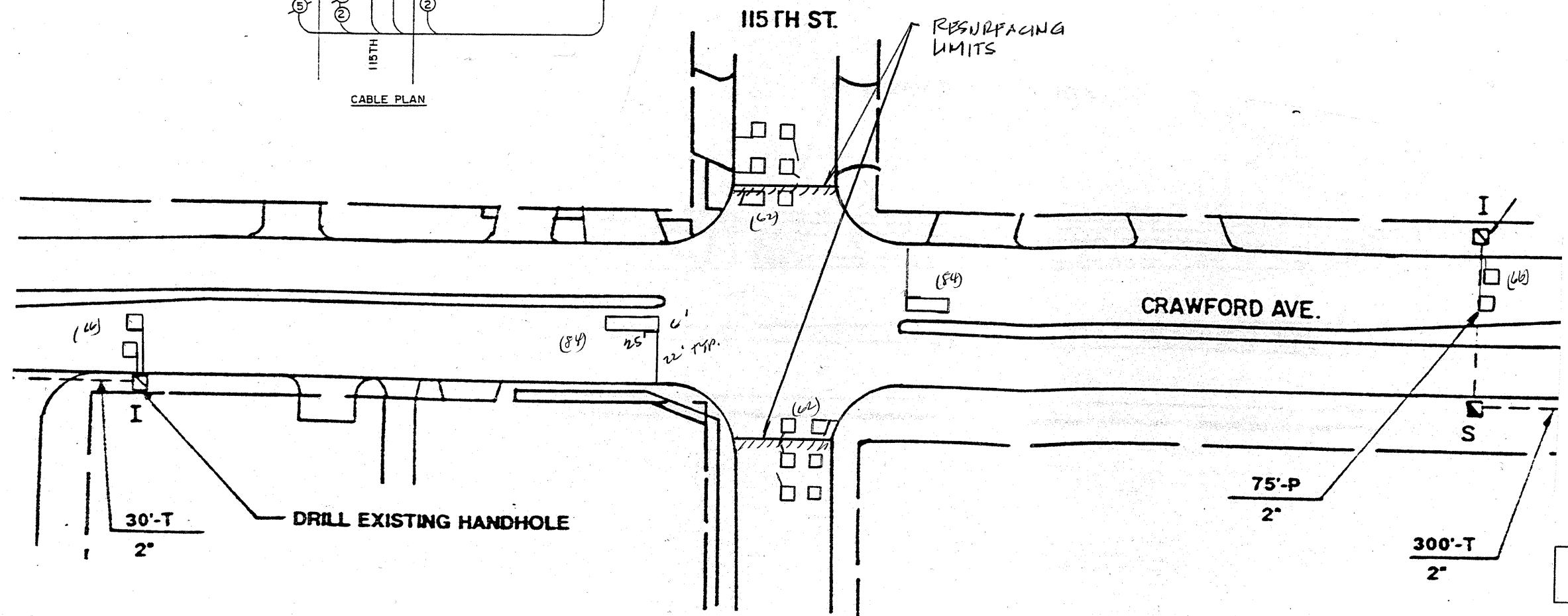
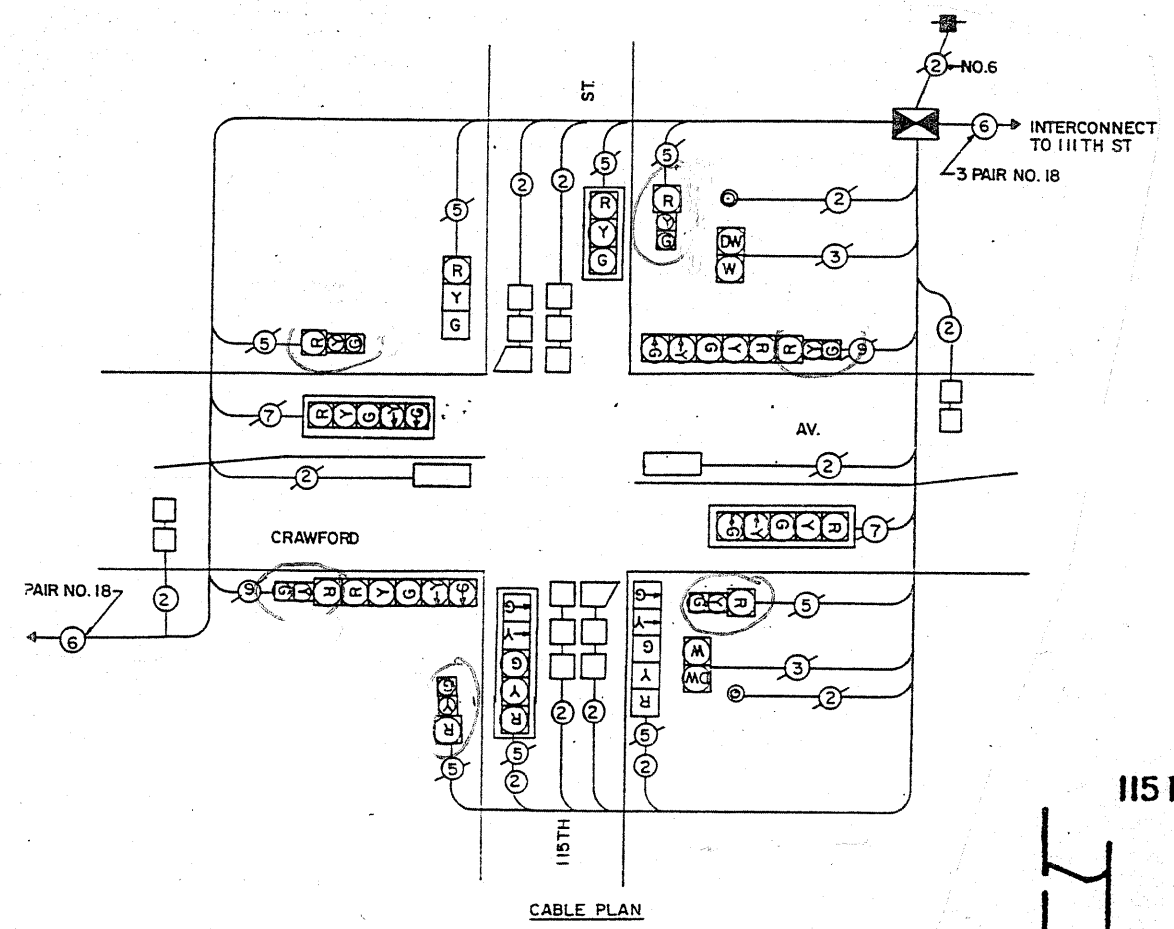


TRAFFIC SIGNAL LEGEND

	PROPOSED	EXISTING
DETECTOR LOOP		
SIGNAL HEAD		
G.S. CONDUIT IN TRENCH OR PUSHED		
SIGNAL HEAD WITH BACKPLATE		
RACEWAY FOR MAGNETIC DETECTOR, TYPE I OR II		
VEHICLE DETECTOR, NON-COMPENSATED MAGNETIC TYPE		



REPLACE ALL DETECTOR LOOPS AS SHOWN
(WITHIN THE RESURFACING LIMITS)

CODE	QUANTITY	UNIT	ITEM
88600600	424	FOOT	DETECTOR LOOP, REPLACEMENT

FILE NAME =	USER NAME = kenthaiphixaybc	DESIGNED - BCK	REVISED -
c:\pwwork\p\1001\KANTHAPHIXAYBC\d81125	4\traffico.legend.v7.dgn	DRAWN - BCK	REVISED -
	PLOT SCALE = 39.9360' / IN.	CHECKED - DAD	REVISED -
	PLOT DATE = 4/3/2009	DATE -	REVISED -

**STATE OF ILLINOIS
DEPARTMENT OF TRANSPORTATION**

**DISTRICT ONE - DETECTOR LOOP REPLACEMENT
CRAWFORD AV. @ 115TH STREET**

FALL RTE.	SECTION	COUNTY	TOTAL SHEETS	SHEET NO.
3718	1316 RS-3	COOK	29	14
FED. ROAD DIST. NO.		ILLINOIS FED. AID PROJECT		
		CONTRACT NO. 60688		

SCALE: NONE SHEET NO. OF SHEETS STA. TO STA.

traffico.legend.v7.dgn 4/3/2009 11:17:41 AM User=kenthaiphixaybc