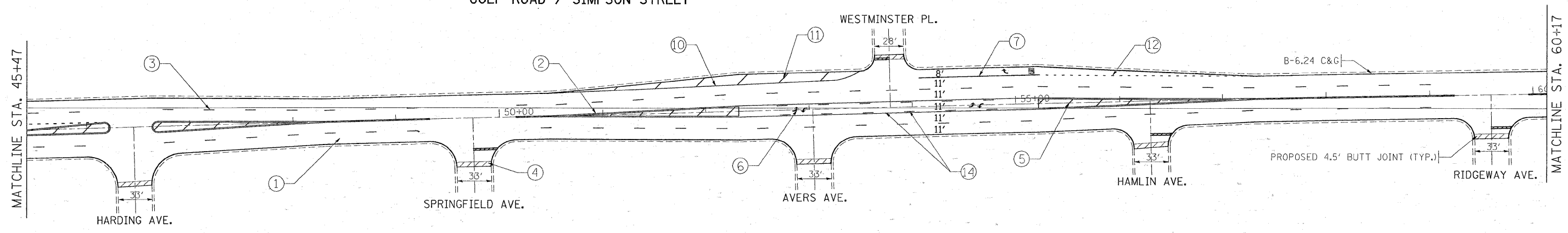


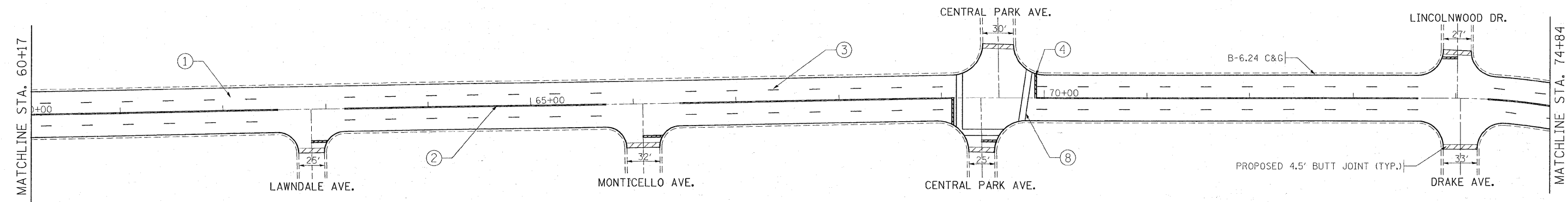


GOLF ROAD / SIMPSON STREET



NOTE FOR ALL SIDESTREETS:
 -RESURFACING LIMITS ARE AT THE RADIUS RETURNS
 -PROPOSED HOT-MIX ASPHALT SURFACE REMOVAL, 2 1/2 "
 -PROPOSED POLYMERIZED LEVELING BINDER
 (MACHINE METHOD), IL-4.75, N50, 3/4 "
 -PROPOSED POLYMERIZED HOT-MIX ASPHALT
 SURFACE COURSE, MIX "F", N90, 1 3/4 "

GOLF ROAD / SIMPSON STREET



- ① PROPOSED HMA SURFACE REMOVAL, 2 1/2 "
 PROPOSED POLYMERIZED LEVELING BINDER (MACHINE METHOD),
 IL 4.75, N50, 3/4 "
 PROPOSED POLYMERIZED HOT-MIX ASPHALT SURFACE COURSE,
 MIX "F", N90, 1 3/4 "
- ② THERMOPLASTIC PAVEMENT MARKINGS
 4" DOUBLE YELLOW LINE
 @ 11" C-C (TYP.)
- ③ THERMOPLASTIC PAVEMENT MARKINGS
 4" WHITE LANE LINE
 10' DASH, 30' SPACE (TYP.)
- ④ THERMOPLASTIC PAVEMENT MARKINGS
 24" WHITE LINE
 STOP BAR (TYP.)
- ⑤ THERMOPLASTIC PAVEMENT MARKINGS
 12" YELLOW 45° DIAGONAL
- ⑥ THERMOPLASTIC PAVEMENT MARKINGS
 LETTERS AND SYMBOLS (TYP.)
- ⑦ THERMOPLASTIC PAVEMENT MARKINGS
 6" WHITE LANE LINE (TYP.)
- ⑧ THERMOPLASTIC PAVEMENT MARKINGS
 6" WHITE LINE, CROSSWALK (TYP.)
- ⑨ THERMOPLASTIC PAVEMENT MARKINGS
 12" WHITE LINE, 2' SPACING
 CROSSWALK (TYP.)
- ⑩ THERMOPLASTIC PAVEMENT MARKINGS
 4" WHITE SHOULDER LINE (TYP.)
- ⑪ THERMOPLASTIC PAVEMENT MARKINGS
 12" WHITE 45° DIAGONAL
- ⑫ THERMOPLASTIC PAVEMENT MARKINGS
 6" WHITE LANE LINE
 2' DASH, 6' SPACE (TYP.)
- ⑬ THERMOPLASTIC PAVEMENT MARKINGS
 8" WHITE LANE LINE (TYP.)
- ⑭ THERMOPLASTIC PAVEMENT MARKINGS
 4" YELLOW LINES
 @ 5 1/2" C-C (TYP.)

NOTE:
 FOR RAISED REFLECTIVE PAVEMENT MARKERS, REFER TO TYPICAL
 APPLICATIONS RAISED REFLECTIVE PAVEMENT MARKERS
 (SNOW-PLOW RESISTANT) AND DISTRICT TYPICAL PAVEMENT
 MARKINGS

FILE NAME =	USER NAME = byunah	DESIGNED - Designed By	REVISED - Revised By1	STATE OF ILLINOIS DEPARTMENT OF TRANSPORTATION	GOLF ROAD / SIMPSON STREET GROSS POINT ROAD TO McCORMICK BLVD ROADWAY AND PAVEMENT MARKING PLAN				F.A.U RTE.	SECTION	COUNTY	TOTAL SHEETS	SHEET NO.
c:\pw\work\PWIDOT\BYUNSH\d0136979\DI258394-Design.dgn		DRAWN - Drawn By	REVISED - Revised By2		1312	2009-052-RS	COOK	27	9				
PLOT SCALE = 50.0000' / IN.		CHECKED - Checked By	REVISED - Revised By3		SCALE: Scale SHEET NO. OF SHEETS STA. TO STA.				CONTRACT NO. 60689				
PLOT DATE = 4/17/2009		DATE - Checked Date	REVISED - Revised By4		ILLINOIS FED. AID PROJECT								