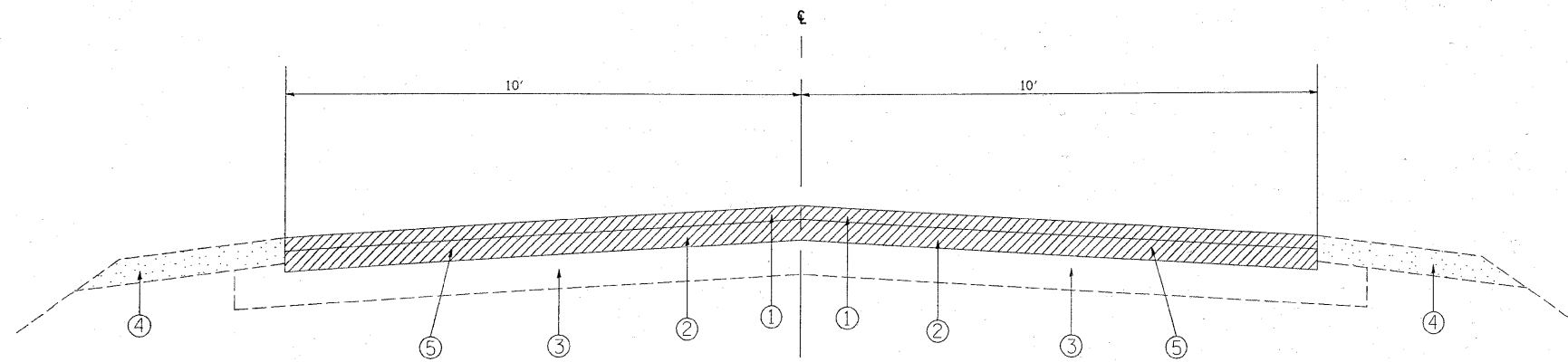


LEGEND

- ① EXISTING HOT-MIX ASPHALT SURFACE COURSE (± 2 1/2")
- ② EXISTING COMPACTED GRAVEL/CRUSHED STONE BASE COURSE, TYPE A (± 7")
- ③ EXISTING SUB-BASE GRANULAR MATERIAL, TYPE B (± 8")
- ④ EXISTING AGGREGATE SHOULDERS
- ⑤ PROPOSED PULVERIZATION (9 1/2")
- ⑥ PROPOSED PULVERIZED MATERIAL (9 1/2")
- ⑦ PROPOSED HMA SURFACE COURSE, MIX "D", N70, (1 1/2")
- ⑧ PROPOSED HMA BINDER COURSE, IL-19.0, N50 (4 1/2")
- ⑨ PROPOSED AGGREGATE BASE COURSE, 2"
- ⑩ PROPOSED AGGREGATE WEDGE SHOULDERS, TYPE B
- ⑪ PROPOSED GRADING & SHAPING SHOULDERS

EXISTING TYPICAL CROSS SECTION



MIXTURE REQUIREMENTS

MIXTURE USES	AC / PG	DESIGN AIR VOIDS
HMA SURFACE COURSE, MIX "D", N70 (IL-9.5mm)	PG 64-22	4% AT 70 GYRATIONS
HMA BINDER COURSE, IL-19.0 N50	PG 64-22*	4% AT 50 GYRATIONS

THE UNIT WEIGHT USED TO CALCULATE ALL SURFACE MIXTURE QUANTITIES IS 112 LBS/SY/IN.

* WHEN RAP EXCEEDS 20%, THE NEW ASPHALT BINDER IN THE MIX SHALL BE PG-58-22

NOTE: THIS PROJECT WILL UTILIZE PULVERIZATION

PROPOSED TYPICAL CROSS SECTION

