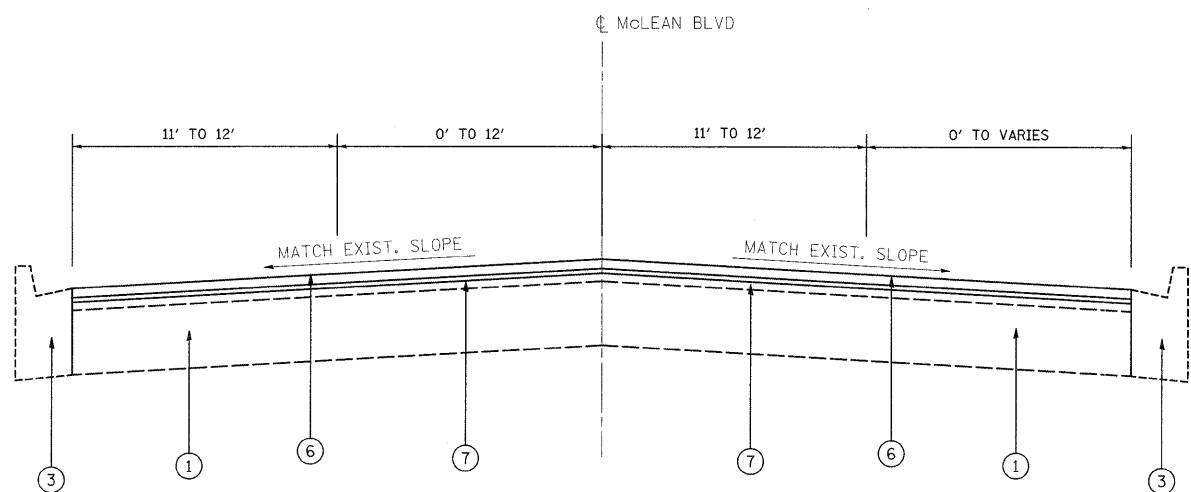
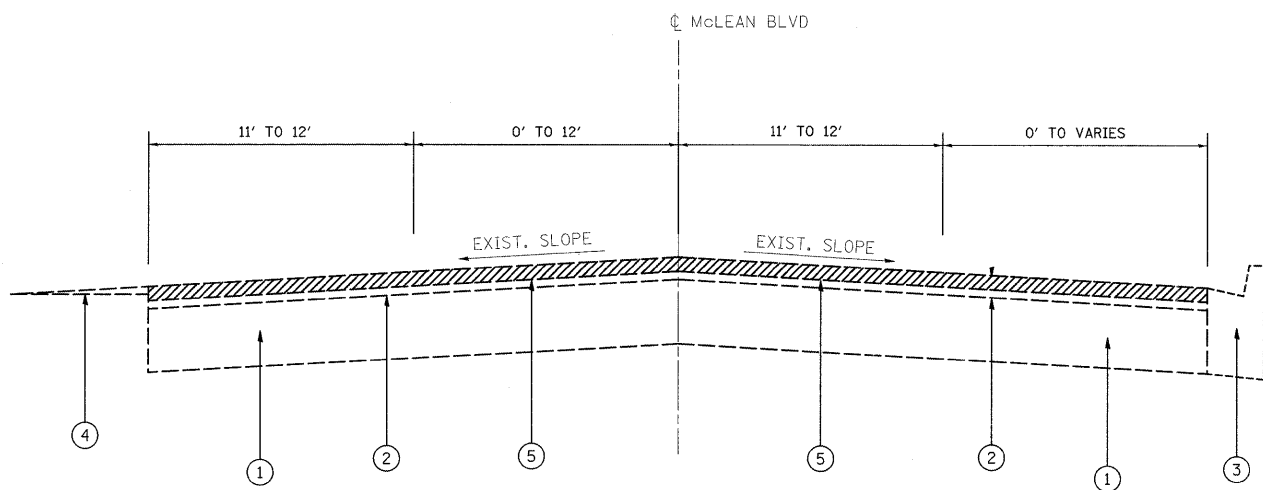


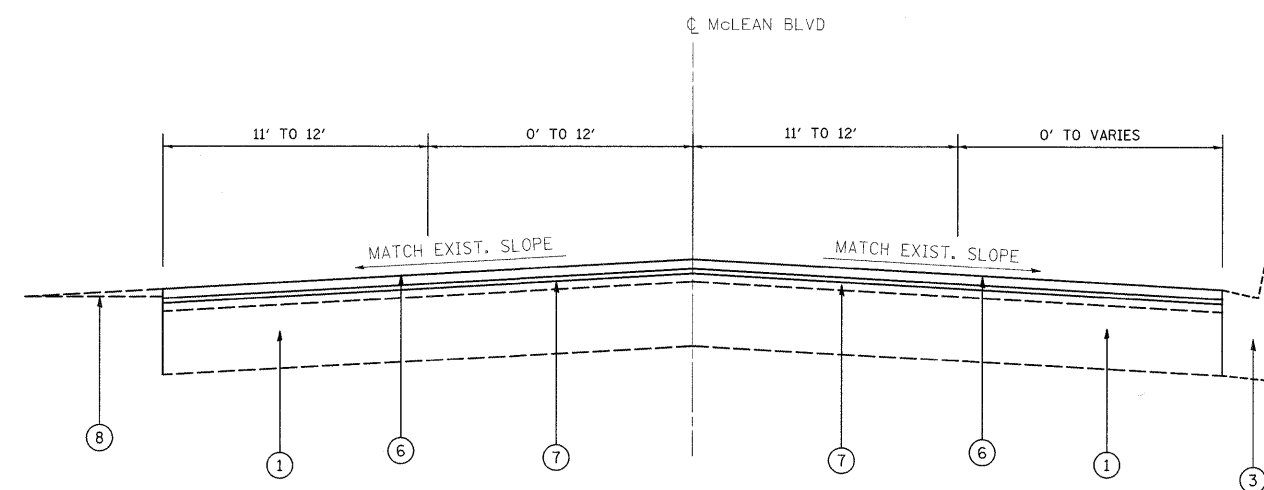
EXISTING TYPICAL SECTION McLEAN BLVD  
STA. 0+21 TO STA. 6+00



PROPOSED TYPICAL SECTION McLEAN BLVD  
STA. 0+21 TO STA. 6+00



EXISTING TYPICAL SECTION McLEAN BLVD  
STA. 6+00 TO STA. 7+90



PROPOSED TYPICAL SECTION McLEAN BLVD  
STA. 6+00 TO STA. 7+90

**LEGEND**

- ① EXIST. PCC BASE COURSE, 9''(±)
- ② EXIST. HOT-MIX ASPHALT OVERLAY, 4 1/2''(±)
- ③ EXIST. CONCRETE CURB AND GUTTER
- ④ EXIST. AGGREGATE SHOULDERS
- ⑤ PROP. HOT-MIX ASPHALT SURFACE REMOVAL - 2 1/4'' (1/2'' OF HOT-MIX ASPHALT TO REMAIN)
- ⑥ PROP. HOT-MIX ASPHALT SURFACE COURSE, MIX "D", N70, 1 1/2''
- ⑦ PROP. POLYMERIZED LEVELING BINDER (MM), IL-4.75, N50, 3/4''
- ⑧ PROP. AGGREGATE WEDGE SHOULDER, TYPE B

**NOTES:**

1. SEE ROADWAY AND PAVEMENT MARKING PLAN SHEETS FOR LOCATIONS OF LEFT TURN LANES, RIGHT TURN LANES, AND MEDIANS.
2. PAVEMENT PATCHING SHALL BE DONE PRIOR TO MILLING OF THE ROADWAY.

FILE NAME = c:\pw_work\PWIDOT\Y00NJE\d0136265\McLean.dgn	USER NAME = yoonje	DESIGNED -	REVISED -	<b>STATE OF ILLINOIS DEPARTMENT OF TRANSPORTATION</b>	<b>McLEAN BLVD (SPRING ST. TO S. LANCASTER CIR.) EXISTING AND PROPOSED TYPICAL SECTIONS</b>	F.A.U. RTE. 2509	SECTION 94RS	COUNTY KANE	TOTAL SHEETS 20	SHEET NO. 4	
PLOT SCALE = 50.0000' / IN.	CHECKED -	REVISED -	SCALE:			SHEET NO. OF SHEETS	STA. TO STA.	FED. ROAD DIST. NO. 1 ILLINOIS			
PLOT DATE = 4/18/2009	DATE -	REVISED -	CONTRACT NO. 60H04								