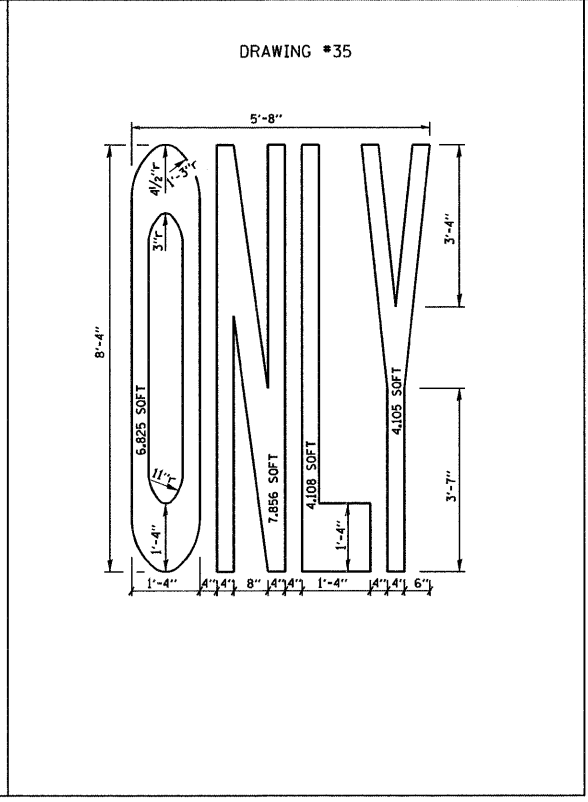
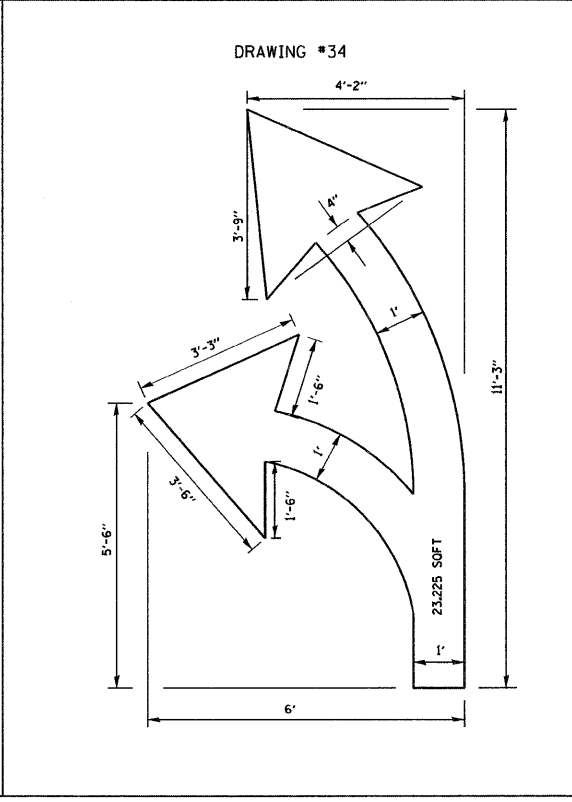
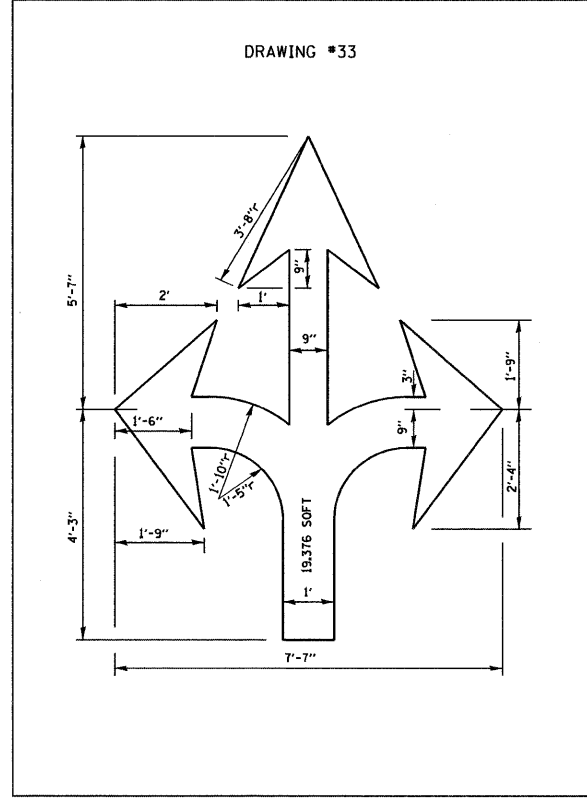
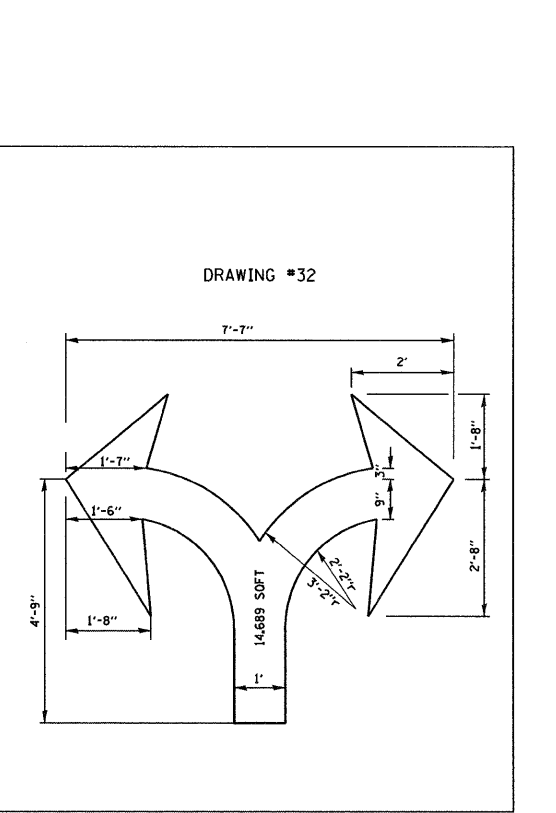
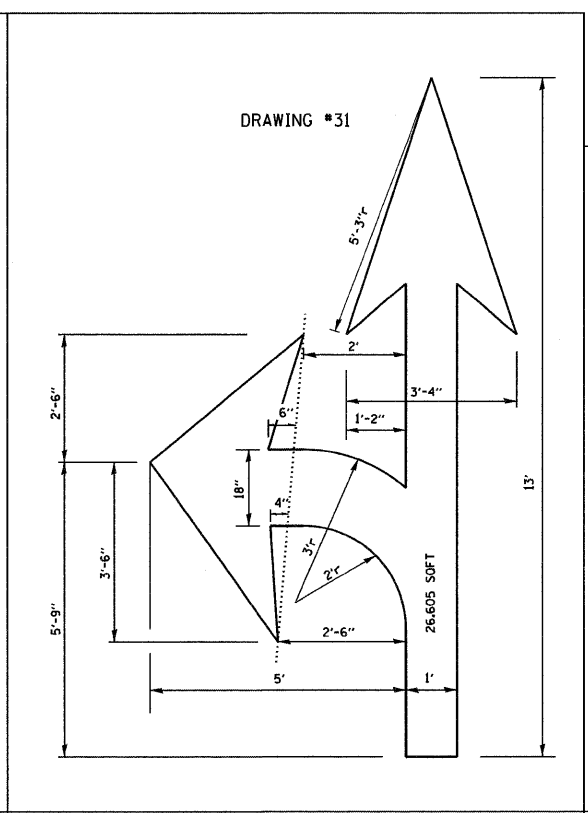
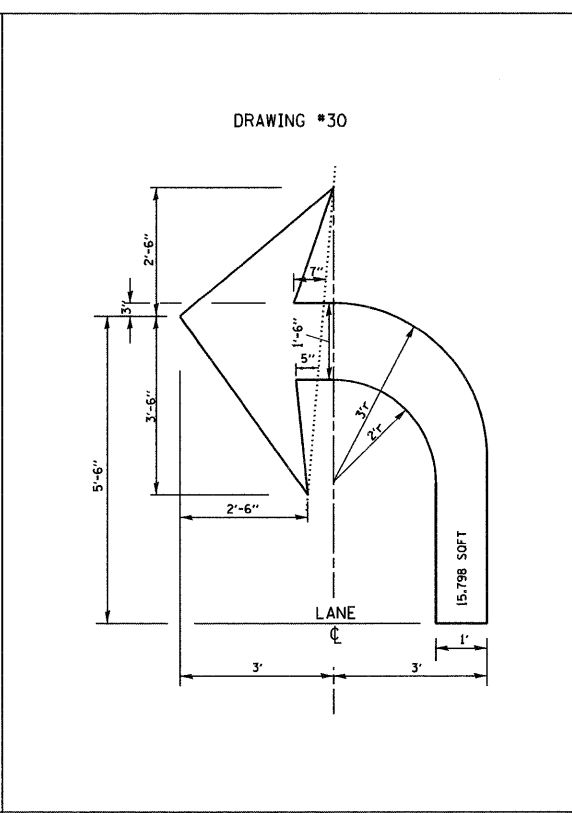
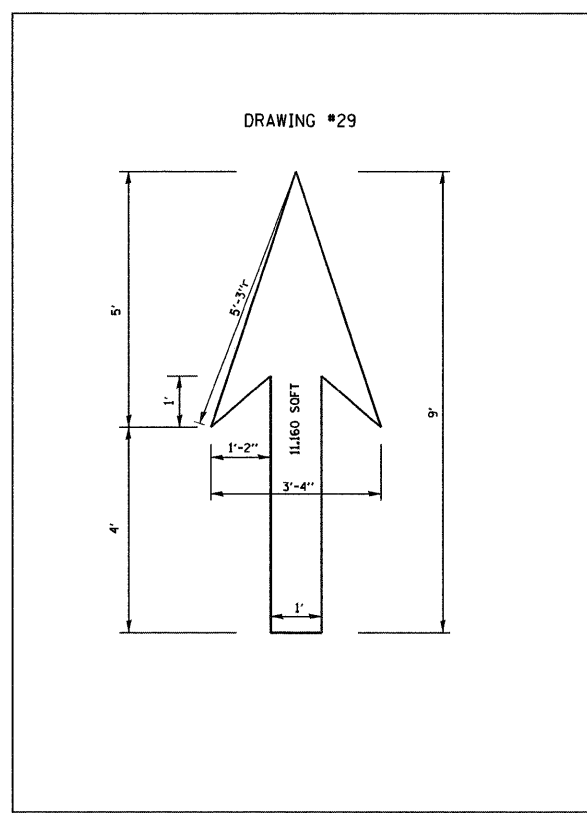


**NOTE:**  
 1.) FOR BIKE LANE SYMBOLS ONLY, USE PRE-FORMED THERMOPLASTIC WITH A MINIMUM THICKNESS OF 90 MILS, MINIMUM SKID RESISTANCE VALUE OF 60 BPN, & A MINIMUM INDEX OF REFRACTION OF 1.50.  
 2.) THE RESIDENT ENGINEER SHALL CONTACT MR. BEN GOMBERG AT 312-744-8093 AT LEAST ONE CALENDAR WEEK PRIOR TO INSTALLING BIKE LANE SYMBOLS.

**TYPICAL BIKE LANE SYMBOLS**  
 DRAWING #28



**NOTE:** ALL MARKINGS SHALL BE SOLID WHITE UNLESS OTHERWISE NOTED IN THE PLANS

FILE NAME = W:\dststd\22x34\to24.dgn	USER NAME = geglino	DESIGNED -	REVISED - T. RAMMACHER 12-07-00
	PLOT SCALE = 50.000' / IN.	DRAWN -	REVISED -
	PLOT DATE = 1/4/2008	CHECKED -	REVISED -
		DATE -	REVISED -

**STATE OF ILLINOIS**  
**DEPARTMENT OF TRANSPORTATION**

<b>CITY OF CHICAGO</b>			
<b>TYPICAL PAVEMENT MARKINGS</b>			
SCALE: NONE	SHEET NO. 2 OF 2 SHEETS	STA.	TO STA.

F.A.P. RTE.	SECTION	COUNTY	TOTAL SHEETS	SHEET NO.
029	2009-056 RS	COOK	18	16
<b>TC-24</b>			<b>CONTRACT NO. 60H25</b>	
FED. ROAD DIST. NO. 1 ILLINOIS FED. AID PROJECT				