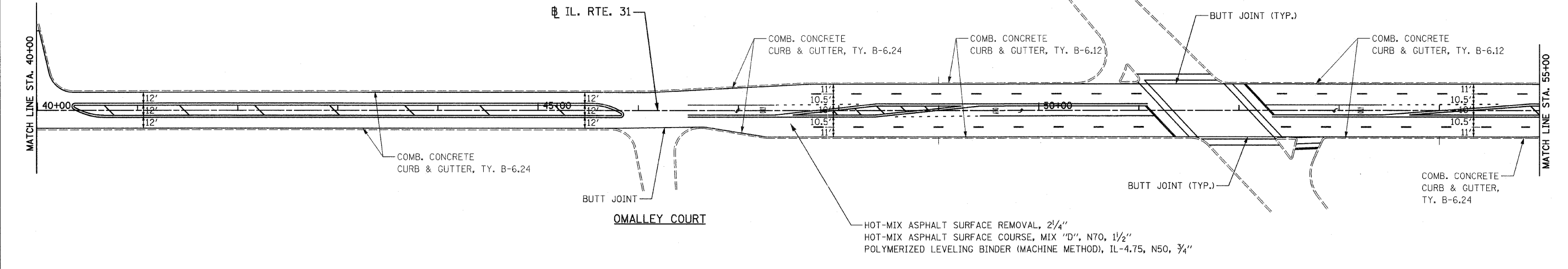


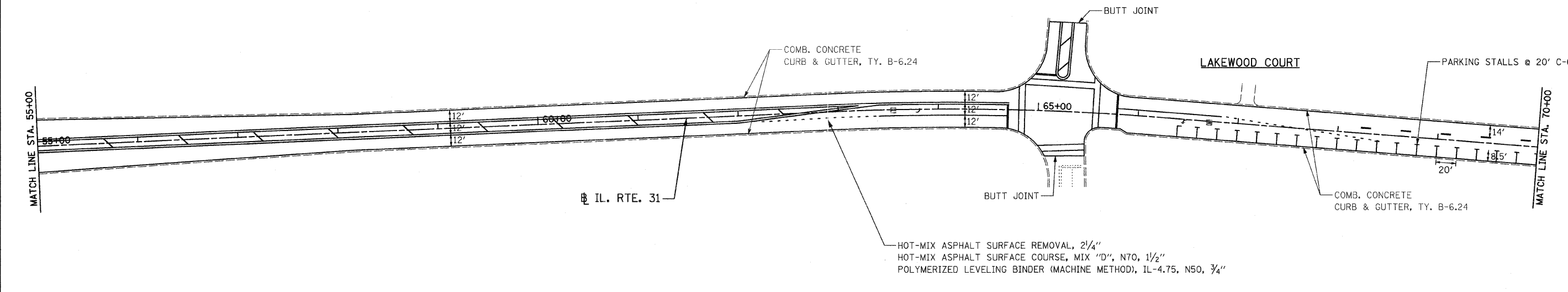


3rd STREET

PRAIRIE STREET



GALE STREET



LEGEND			
1	LINE 4" (YELLOW SOLID LINE)	5	LINE 4" (WHITE SOLID LINE)
2	LINE 4" (DOUBLE YELLOW SOLID LINES)	6	LINE 6" (WHITE SOLID LINE)
3	LINE 4" (YELLOW - 10' DASH, 30' SKIP)	7	LINE 6" (WHITE LANE LINE - 2' DASH, 6' SKIP)
4	LINE 4" (WHITE LANE LINE - 10' DASH, 30' SKIP)	8	LINE 8" (WHITE SOLID LINE)
		9	LINE 12" (WHITE SOLID LINE)
		10	LINE 12" (WHITE DIAGONAL LINE)
		11	LINE 12" (YELLOW DIAGONAL LINE)
		12	LINE 24" (WHITE STOP BAR)
		13	LETTERS AND SYMBOLS (TYP.)

NOTES:

- ALL PAVEMENT MARKINGS SHALL BE THERMOPLASTIC UNLESS OTHERWISE SPECIFIED.
- RAISED REFLECTIVE PAVEMENT MARKERS SHALL BE USED THROUGHOUT THE PROJECT LIMITS. SEE DISTRICT DETAIL TC-11.

FILE NAME = D:\60H30-shr-plan2.dgn
 PLOT DATE = 4/21/2009

CHRISTIAN-ROGE & ASSOCIATES, INC.
 ENGINEERS-PLANNERS-SURVEYORS
 211 WEST WACKER DRIVE
 CHICAGO, ILLINOIS 60606
 PHONE: (312)372-2023 FAX: (312)372-5274

DESIGNED - G.F.L.	REVISED -
DRAWN - A.C.S.	REVISED -
CHECKED - M.P.	REVISED -
DATE - APRIL 2009	REVISED -

**STATE OF ILLINOIS
 DEPARTMENT OF TRANSPORTATION**

**ROADWAY AND PAVEMENT MARKING PLAN
 IL. RTE. 31**

SCALE: 1" = 50' SHEET NO. 2 OF 3 SHEETS STA. 40+00 TO STA. 70+00

F.A.J. RTE. 3902	SECTION 16-Z-1-R5-1	COUNTY KANE	TOTAL SHEETS 18	SHEET NO. 6
CONTRACT NO. 60H30				FED. ROAD DIST. NO. 1 ILLINOIS FED. AID PROJECT