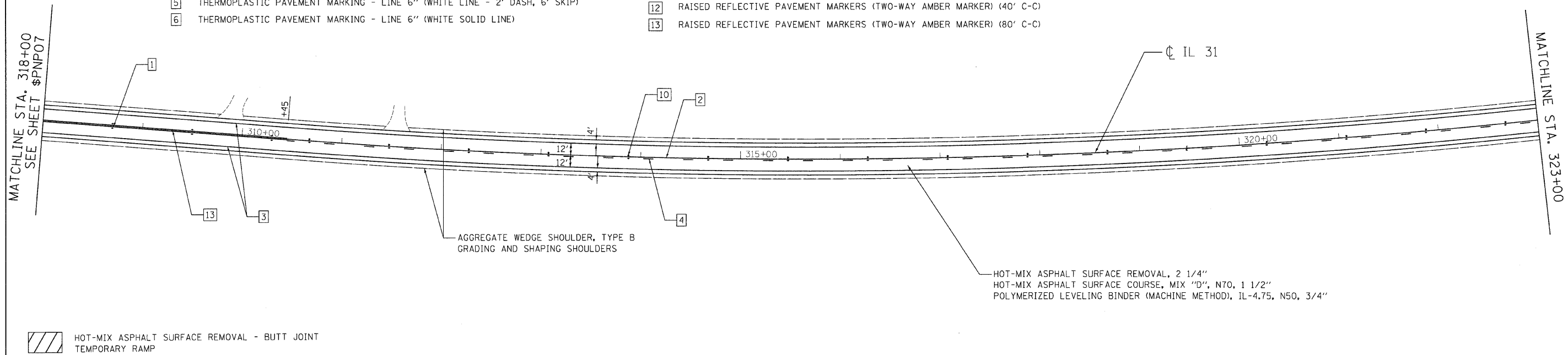
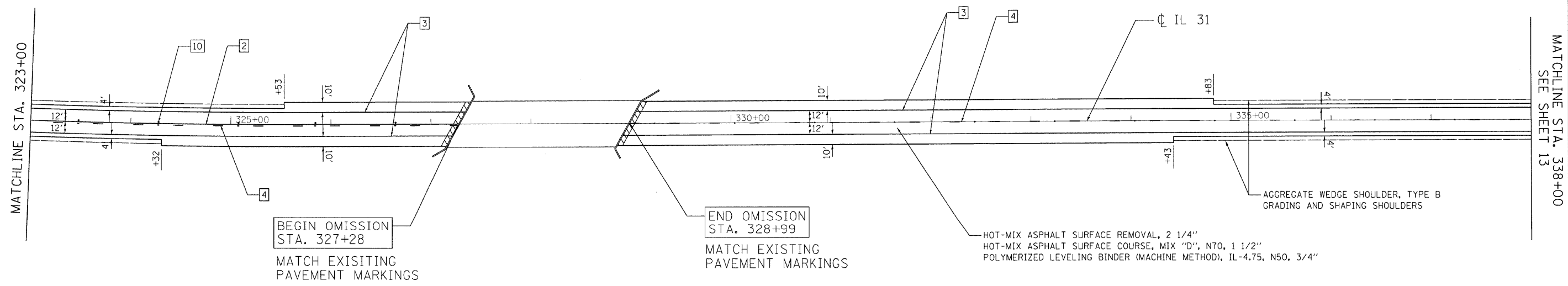


LEGEND:

- | | |
|---|--|
| 1 THERMOPLASTIC PAVEMENT MARKING - LINE 4" (DOUBLE YELLOW SOLID LINE 11" C-C) | 7 THERMOPLASTIC PAVEMENT MARKING - LINE 12" (YELLOW LINE) |
| 2 THERMOPLASTIC PAVEMENT MARKING - LINE 4" (YELLOW SOLID LINE) | 8 THERMOPLASTIC PAVEMENT MARKING - LINE 24" (WHITE STOP LINE) |
| 3 THERMOPLASTIC PAVEMENT MARKING - LINE 4" (WHITE SOLID LINE) | 9 THERMOPLASTIC PAVEMENT MARKING - LETTERS AND SYMBOLS (TYP.) |
| 4 THERMOPLASTIC PAVEMENT MARKING - LINE 4" (YELLOW LANE LINE - 10' DASH, 30' SKIP) WITH RAISED REFLECTIVE PAVEMENT MARKERS (TWO-WAY AMBER MARKER) (80' C-C) | 10 RAISED REFLECTIVE PAVEMENT MARKERS (ONE-WAY AMBER MARKER) (40' C-C) |
| 5 THERMOPLASTIC PAVEMENT MARKING - LINE 6" (WHITE LINE - 2' DASH, 6' SKIP) | 11 RAISED REFLECTIVE PAVEMENT MARKERS (ONE-WAY AMBER MARKER) (80' C-C) |
| 6 THERMOPLASTIC PAVEMENT MARKING - LINE 6" (WHITE SOLID LINE) | 12 RAISED REFLECTIVE PAVEMENT MARKERS (TWO-WAY AMBER MARKER) (40' C-C) |
| | 13 RAISED REFLECTIVE PAVEMENT MARKERS (TWO-WAY AMBER MARKER) (80' C-C) |



HOT-MIX ASPHALT SURFACE REMOVAL - BUTT JOINT
 TEMPORARY RAMP



HOT-MIX ASPHALT SURFACE REMOVAL - BUTT JOINT
 TEMPORARY RAMP

FILE NAME: c:\pwork\3368_13\drawings\proposed\plan\3368_13_P-Prop08.dwg

Ciorba Group, Inc.
 CONSULTING ENGINEERS
 5507 North Cumberland Avenue, Suite 402
 Chicago, Illinois 60655
 Tel. 773.775.4009 Fax 773.775.4014

USER NAME = oia	DESIGNED - NT	REVISED -
PLOT SCALE = 50,0000" / IN.	DRAWN - NT	REVISED -
PLOT DATE = 4/20/2009	CHECKED - WBL	REVISED -
	DATE - 4/22/09	REVISED -

**STATE OF ILLINOIS
 DEPARTMENT OF TRANSPORTATION**

**IL 31
 JOHNSBURG ROAD TO US 12 (TYRON GROVE ROAD)
 PROPOSED ROADWAY AND PAVEMENT MARKING PLAN**

SCALE: 1"=50' SHEET NO. 12 OF 27 SHEETS STA. 308+00 TO STA. 338+00

F.A.P. RTE. 336	SECTION 111 R-RS	COUNTY MCHENRY	TOTAL SHEETS 27	SHEET NO. 12
CONTRACT NO. 60H46				FED. ROAD DIST. NO. 1 (ILLINOIS) FED. AID PROJECT