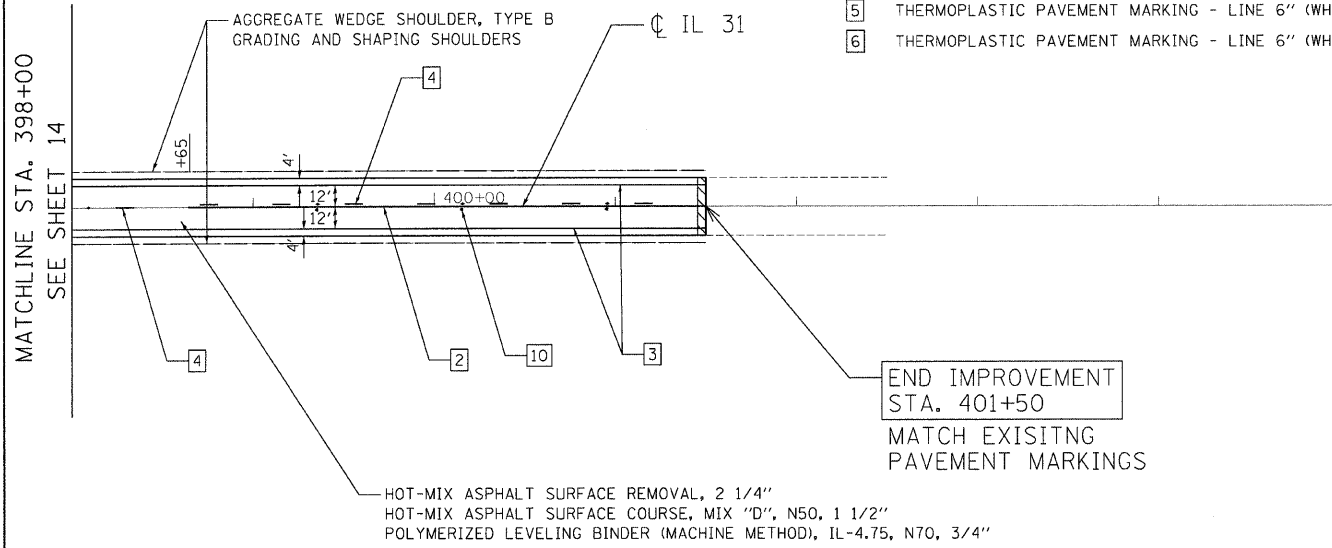
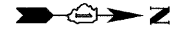


**LEGEND:**

- 1 THERMOPLASTIC PAVEMENT MARKING - LINE 4" (DOUBLE YELLOW SOLID LINE 11" C-C)
- 2 THERMOPLASTIC PAVEMENT MARKING - LINE 4" (YELLOW SOLID LINE)
- 3 THERMOPLASTIC PAVEMENT MARKING - LINE 4" (WHITE SOLID LINE)
- 4 THERMOPLASTIC PAVEMENT MARKING - LINE 4" (YELLOW LANE LINE - 10' DASH, 30' SKIP) WITH RAISED REFLECTIVE PAVEMENT MARKERS (TWO-WAY AMBER MARKER) (80' C-C)
- 5 THERMOPLASTIC PAVEMENT MARKING - LINE 6" (WHITE LINE - 2' DASH, 6' SKIP)
- 6 THERMOPLASTIC PAVEMENT MARKING - LINE 6" (WHITE SOLID LINE)

- 7 THERMOPLASTIC PAVEMENT MARKING - LINE 12" (YELLOW LINE)
- 8 THERMOPLASTIC PAVEMENT MARKING - LINE 24" (WHITE STOP LINE)
- 9 THERMOPLASTIC PAVEMENT MARKING - LETTERS AND SYMBOLS (TYP.)
- 10 RAISED REFLECTIVE PAVEMENT MARKERS (ONE-WAY AMBER MARKER) (40' C-C)
- 11 RAISED REFLECTIVE PAVEMENT MARKERS (ONE-WAY AMBER MARKER) (80' C-C)
- 12 RAISED REFLECTIVE PAVEMENT MARKERS (TWO-WAY AMBER MARKER) (40' C-C)
- 13 RAISED REFLECTIVE PAVEMENT MARKERS (TWO-WAY AMBER MARKER) (80' C-C)



MATCHLINE STA. 398+00  
SEE SHEET 14

HOT-MIX ASPHALT SURFACE REMOVAL - BUTT JOINT  
TEMPORARY RAMP

END IMPROVEMENT  
STA. 401+50  
MATCH EXISTING  
PAVEMENT MARKINGS

HOT-MIX ASPHALT SURFACE REMOVAL, 2 1/4"  
HOT-MIX ASPHALT SURFACE COURSE, MIX "D", N50, 1 1/2"  
POLYMERIZED LEVELING BINDER (MACHINE METHOD), IL-4.75, N70, 3/4"

FILE NAME: s:\p\3368\3368\_19\delug\propose\3368\_19-P-prop1.dgn

**CG** Ciorba Group, Inc.  
CONSULTING ENGINEERS  
5507 North Cumberland Avenue, Suite 402  
Chicago, Illinois 60656  
Tel. 773.775.4009 Fax 773.775.4014

USER NAME = olau	DESIGNED - NT	REVISED -
	DRAWN - NT	REVISED -
PLOT SCALE = 50.0000' / IN.	CHECKED - WBL	REVISED -
PLOT DATE = 4/20/2009	DATE - 4/22/09	REVISED -

**STATE OF ILLINOIS  
DEPARTMENT OF TRANSPORTATION**

**IL 31  
JOHNSBURG ROAD TO US 12 (TYRON GROVE ROAD)  
PROPOSED ROADWAY AND PAVEMENT MARKING PLAN**  
SCALE: 1"=50' SHEET NO. 15 OF 27 SHEETS STA. 398+00 TO STA. 405+00

F.A.P. RTE.	SECTION	COUNTY	TOTAL SHEETS	SHEET NO.
336	111 R-RS	MCHENRY	27	15
CONTRACT NO. 60H46				

FED. ROAD DIST. NO. 1 ILLINOIS FED. AID PROJECT