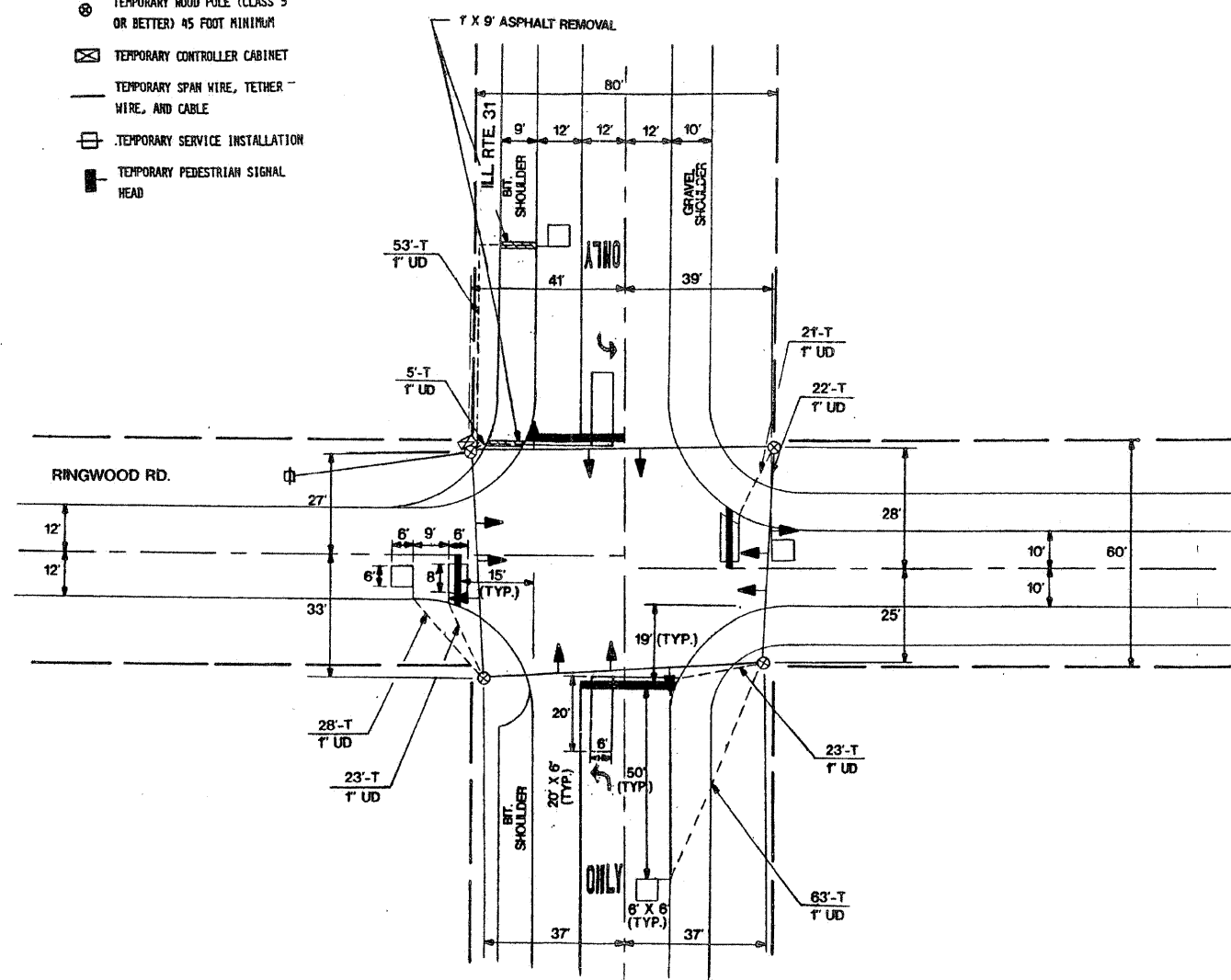


- TEMPORARY TRAFFIC SIGNAL LEGEND**
- ← TEMPORARY TRAFFIC SIGNAL HEAD
  - ← SPAN WIRE MOUNTED ORIGINAL LOCATION.
  - ← TEMPORARY TRAFFIC SIGNAL HEAD
  - ← SPAN WIRE MOUNTED SECONDARY LOCATION.
  - ⊕ TEMPORARY WOOD POLE (CLASS 5 OR BETTER) 45 FOOT MINIMUM
  - ☒ TEMPORARY CONTROLLER CABINET
  - TEMPORARY SPAN WIRE, TETHER WIRE, AND CABLE
  - ☐ TEMPORARY SERVICE INSTALLATION
  - TEMPORARY PEDESTRIAN SIGNAL HEAD



REPLACE ALL DETECTOR LOOPS AS SHOWN  
(WITHIN PROJECT LIMITS)

CODE NO.	QUANTITY	UNIT	ITEM
86600600	340	FOOT	DETECTOR LOOP REPLACEMENT

FILE NAME: s:\proj\3386\3386\_19\adms\gr\Signals\3386\_19\_1\Loop22.dgn

**Ciorba Group, Inc.**  
CONSULTING ENGINEERS  
6507 North Cumberland Avenue, Suite 402  
Chicago, Illinois 60656  
Tel. 773.775.4000 Fax 773.775.4014

USER NAME = oleu	DESIGNED - NT	REVISED -
PLOT SCALE = 1/8" = 1' IN.	DRAWN - NT	REVISED -
PLOT DATE = 4/28/2009	CHECKED - WBL	REVISED -
	DATE - 4/22/09	REVISED -

**STATE OF ILLINOIS  
DEPARTMENT OF TRANSPORTATION**

**IL 31  
JOHNSBURG ROAD TO US 12 (TYRON GROVE ROAD)  
DETECTOR LOOP REPLACEMENT PLAN**

SCALE: N.T.S. SHEET NO. 17 OF 27 SHEETS STA. TO STA.

F.A.P. RTE.	SECTION	COUNTY	TOTAL SHEETS	SHEET NO.
336	111 R-RS	MCHENRY	27	17
CONTRACT NO. 60H46				
FED. ROAD DIST. NO. 1   ILLINOIS FED. AID PROJECT				