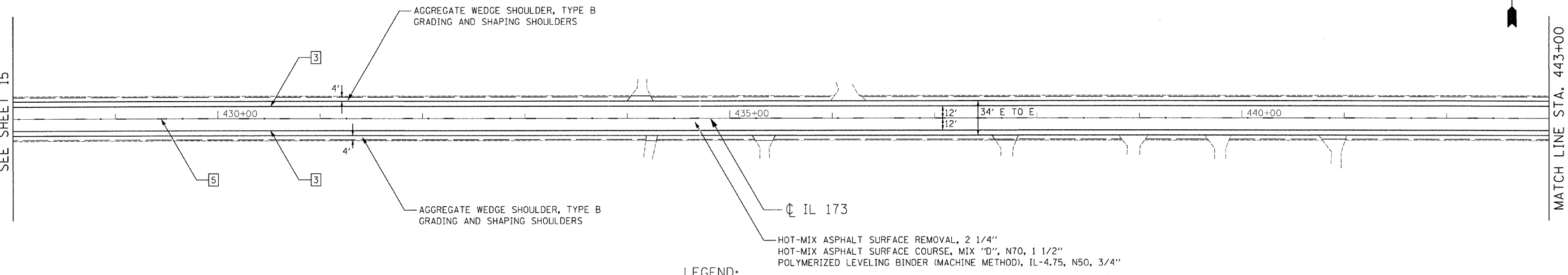




MATCH LINE STA. 428+00
SEE SHEET 15



MATCH LINE STA. 443+00

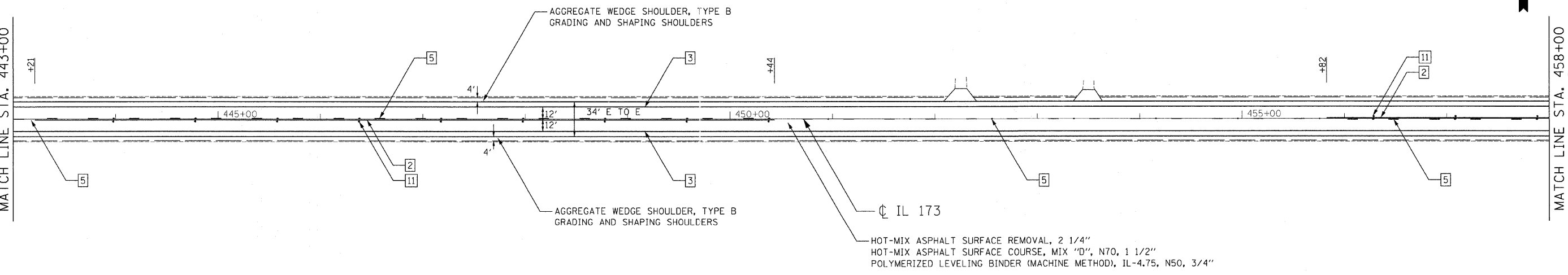
LEGEND:

- 1 THERMOPLASTIC PAVEMENT MARKING - LINE 4" (DOUBLE YELLOW SOLID LINE 11" C-C)
- 2 THERMOPLASTIC PAVEMENT MARKING - LINE 4" (YELLOW SOLID LINE)
- 3 THERMOPLASTIC PAVEMENT MARKING - LINE 4" (WHITE EDGE LINE)
- 4 THERMOPLASTIC PAVEMENT MARKING - LINE 4" (YELLOW LANE LINE - 10' DASH, 30' SKIP) WITH RAISED REFLECTIVE PAVEMENT MARKERS (1 TWO-WAY AMBER MARKER) (40' C-C)
- 5 THERMOPLASTIC PAVEMENT MARKING - LINE 4" (YELLOW LANE LINE - 10' DASH, 30' SKIP) WITH RAISED REFLECTIVE PAVEMENT MARKERS (1 TWO-WAY AMBER MARKER) (80' C-C)
- 6 THERMOPLASTIC PAVEMENT MARKING - LINE 6" (WHITE SOLID LINE)
- 7 THERMOPLASTIC PAVEMENT MARKING - LINE 12" (YELLOW DIAGONAL LINE)
- 8 THERMOPLASTIC PAVEMENT MARKING - LINE 24" (WHITE STOP LINE)
- 9 THERMOPLASTIC PAVEMENT MARKING - LETTERS AND SYMBOLS (TYP.)
- 10 RAISED REFLECTIVE PAVEMENT MARKERS (ONE-WAY AMBER MARKER) (40' C-C)
- 11 RAISED REFLECTIVE PAVEMENT MARKERS (ONE-WAY AMBER MARKER) (80' C-C)
- 12 RAISED REFLECTIVE PAVEMENT MARKERS (TWO-WAY AMBER MARKER) (40' C-C)
- 13 RAISED REFLECTIVE PAVEMENT MARKERS (TWO-WAY AMBER MARKER) (80' C-C)
- 14 RAISED REFLECTIVE PAVEMENT MARKERS (ONE-WAY CRYSTAL MARKER) (40' C-C)

HOT-MIX ASPHALT SURFACE REMOVAL - BUTT JOINT
TEMPORARY RAMP



MATCH LINE STA. 443+00



MATCH LINE STA. 458+00
SEE SHEET 17

HOT-MIX ASPHALT SURFACE REMOVAL - BUTT JOINT
TEMPORARY RAMP

FILE NAME = m:\p09\3386\3386_21\design\prop\3386_21-Prop12.dgn

Ciorba Group, Inc.
CONSULTING ENGINEERS
5507 North Cumberland Avenue, Suite 402
Chicago, Illinois 60656
Tel. 773.775.4009 Fax 773.775.4014

USER NAME = olau	DESIGNED - DD	REVISED -
DRAWN - RJR	CHECKED - SNS	DATE - 4/22/09
PLOT SCALE = 50.0000' / IN.	PLOT DATE = 4/21/2009	

**STATE OF ILLINOIS
DEPARTMENT OF TRANSPORTATION**

**IL 173
ALDEN ROAD TO US 12
PROPOSED ROADWAY AND PAVEMENT MARKING PLAN**

SCALE: 1"=50' SHEET NO. 16 OF 36 SHEETS STA. 428+00 TO STA. 458+00

F.A.P. RTE.	SECTION	COUNTY	TOTAL SHEETS	SHEET NO.
303	(132, 133 & 134) RS-5	MCHENRY	36	16
CONTRACT NO. 62496			FED. ROAD DIST. NO. 1 ILLINOIS FED. AID PROJECT	