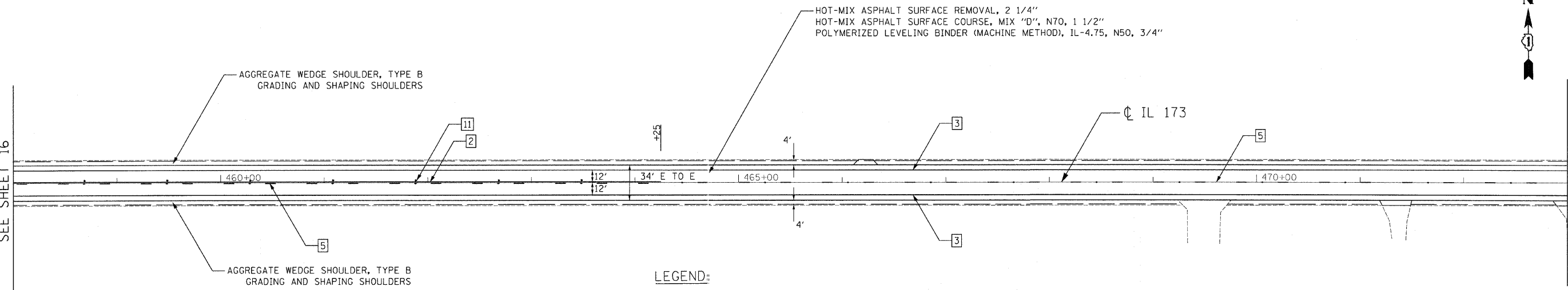



MATCH LINE STA. 458+00
SEE SHEET 16



MATCH LINE STA. 473+00

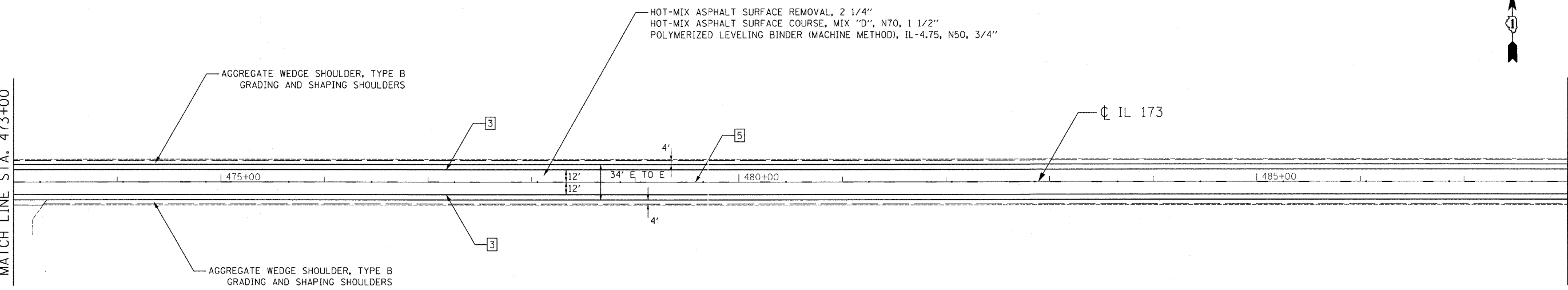


 HOT-MIX ASPHALT SURFACE REMOVAL - BUTT JOINT
TEMPORARY RAMP

LEGEND:


- | | |
|--|--|
| <ul style="list-style-type: none"> 1 THERMOPLASTIC PAVEMENT MARKING - LINE 4" (DOUBLE YELLOW SOLID LINE 11" C-C) 2 THERMOPLASTIC PAVEMENT MARKING - LINE 4" (YELLOW SOLID LINE) 3 THERMOPLASTIC PAVEMENT MARKING - LINE 4" (WHITE EDGE LINE) 4 THERMOPLASTIC PAVEMENT MARKING - LINE 4" (YELLOW LANE LINE - 10' DASH, 30' SKIP) WITH RAISED REFLECTIVE PAVEMENT MARKERS (1 TWO-WAY AMBER MARKER) (40' C-C) 5 THERMOPLASTIC PAVEMENT MARKING - LINE 4" (YELLOW LANE LINE - 10' DASH, 30' SKIP) WITH RAISED REFLECTIVE PAVEMENT MARKERS (1 TWO-WAY AMBER MARKER) (80' C-C) 6 THERMOPLASTIC PAVEMENT MARKING - LINE 6" (WHITE SOLID LINE) | <ul style="list-style-type: none"> 7 THERMOPLASTIC PAVEMENT MARKING - LINE 12" (YELLOW DIAGONAL LINE) 8 THERMOPLASTIC PAVEMENT MARKING - LINE 24" (WHITE STOP LINE) 9 THERMOPLASTIC PAVEMENT MARKING - LETTERS AND SYMBOLS (TYP.) 10 RAISED REFLECTIVE PAVEMENT MARKERS (ONE-WAY AMBER MARKER) (40' C-C) 11 RAISED REFLECTIVE PAVEMENT MARKERS (ONE-WAY AMBER MARKER) (80' C-C) 12 RAISED REFLECTIVE PAVEMENT MARKERS (TWO-WAY AMBER MARKER) (40' C-C) 13 RAISED REFLECTIVE PAVEMENT MARKERS (TWO-WAY AMBER MARKER) (80' C-C) 14 RAISED REFLECTIVE PAVEMENT MARKERS (ONE-WAY CRYSTAL MARKER) (40' C-C) |
|--|--|

MATCH LINE STA. 473+00
SEE SHEET 16



MATCH LINE STA. 488+00
SEE SHEET 18



 HOT-MIX ASPHALT SURFACE REMOVAL - BUTT JOINT
TEMPORARY RAMP

FILE NAME: c:\prow\3355\3355_21\design\prow\prow\3355_21\prop13.dgn

CG Ciorba Group, Inc.
CONSULTING ENGINEERS
5507 North Cumberland Avenue, Suite 402
Chicago, Illinois 60656
Tel. 773.775.4009 Fax 773.775.4014

USER NAME = olau	DESIGNED - DD	REVISED -
PLOT SCALE = 50.0000' / IN.	DRAWN - RJR	REVISED -
PLOT DATE = 4/21/2009	CHECKED - SNS	REVISED -
	DATE - 4/22/09	REVISED -

**STATE OF ILLINOIS
DEPARTMENT OF TRANSPORTATION**

**IL 173
ALDEN ROAD TO US 12
PROPOSED ROADWAY AND PAVEMENT MARKING PLAN**

SCALE: 1"=50' SHEET NO. 17 OF 36 SHEETS STA. 458+00 TO STA. 488+00

F.A.P. RTE.	SECTION	COUNTY	TOTAL SHEETS	SHEET NO.
303	(132, 133 & 134) RS-5	MCHENRY	36	17
CONTRACT NO. 62496				

FED. ROAD DIST. NO. 1 ILLINOIS FED. AID PROJECT