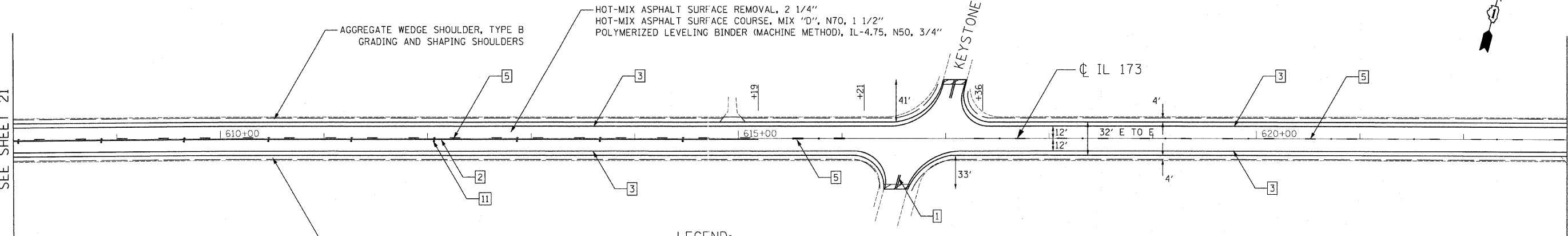


MATCH LINE STA. 608+00  
SEE SHEET 21



MATCH LINE STA. 623+00

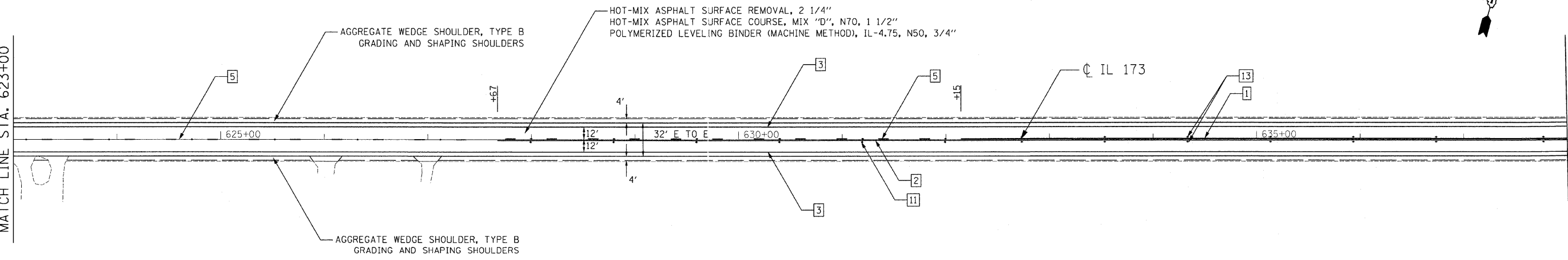


HOT-MIX ASPHALT SURFACE REMOVAL - BUTT JOINT  
TEMPORARY RAMP

**LEGEND:**

- |  |  |
|--|--|
| <ul style="list-style-type: none"> <li>1 THERMOPLASTIC PAVEMENT MARKING - LINE 4" (DOUBLE YELLOW SOLID LINE 11" C-C)</li> <li>2 THERMOPLASTIC PAVEMENT MARKING - LINE 4" (YELLOW SOLID LINE)</li> <li>3 THERMOPLASTIC PAVEMENT MARKING - LINE 4" (WHITE EDGE LINE)</li> <li>4 THERMOPLASTIC PAVEMENT MARKING - LINE 4" (YELLOW LANE LINE - 10' DASH, 30' SKIP) WITH RAISED REFLECTIVE PAVEMENT MARKERS (1 TWO-WAY AMBER MARKER) (40' C-C)</li> <li>5 THERMOPLASTIC PAVEMENT MARKING - LINE 4" (YELLOW LANE LINE - 10' DASH, 30' SKIP) WITH RAISED REFLECTIVE PAVEMENT MARKERS (1 TWO-WAY AMBER MARKER) (80' C-C)</li> <li>6 THERMOPLASTIC PAVEMENT MARKING - LINE 6" (WHITE SOLID LINE)</li> </ul> | <ul style="list-style-type: none"> <li>7 THERMOPLASTIC PAVEMENT MARKING - LINE 12" (YELLOW DIAGONAL LINE)</li> <li>8 THERMOPLASTIC PAVEMENT MARKING - LINE 24" (WHITE STOP LINE)</li> <li>9 THERMOPLASTIC PAVEMENT MARKING - LETTERS AND SYMBOLS (TYP.)</li> <li>10 RAISED REFLECTIVE PAVEMENT MARKERS (ONE-WAY AMBER MARKER) (40' C-C)</li> <li>11 RAISED REFLECTIVE PAVEMENT MARKERS (ONE-WAY AMBER MARKER) (80' C-C)</li> <li>12 RAISED REFLECTIVE PAVEMENT MARKERS (TWO-WAY AMBER MARKER) (40' C-C)</li> <li>13 RAISED REFLECTIVE PAVEMENT MARKERS (TWO-WAY AMBER MARKER) (80' C-C)</li> <li>14 RAISED REFLECTIVE PAVEMENT MARKERS (ONE-WAY CRYSTAL MARKER) (40' C-C)</li> </ul> |
|--|--|

MATCH LINE STA. 623+00



MATCH LINE STA. 638+00  
SEE SHEET 23



HOT-MIX ASPHALT SURFACE REMOVAL - BUTT JOINT  
TEMPORARY RAMP

FILE NAME: c:\p\proj\3386\3386\_21\design\propose\plan\3386\_21-Prop18.dgn

**Ciorba Group, Inc.**  
CONSULTING ENGINEERS  
6507 North Cumberland Avenue, Suite 402  
Chicago, Illinois 60656  
Tel. 773.775.4009 Fax 773.775.4014

USER NAME = olau	DESIGNED - DD	REVISED -
PLOT SCALE = 50.0000' / IN.	DRAWN - RJR	REVISED -
PLOT DATE = 4/21/2009	CHECKED - SNS	REVISED -
	DATE - 4/22/09	REVISED -

**STATE OF ILLINOIS  
DEPARTMENT OF TRANSPORTATION**

**IL 173  
ALDEN ROAD TO US 12  
PROPOSED ROADWAY AND PAVEMENT MARKING PLAN**

SCALE: 1"=50' SHEET NO. 22 OF 36 SHEETS STA. 608+00 TO STA. 638+00

F.A.P. RTE.	SECTION	COUNTY	TOTAL SHEETS	SHEET NO.
303	(132, 133 & 134) RS-5	MCHENRY	36	22
CONTRACT NO. 62496				

FED. ROAD DIST. NO. 1 | ILLINOIS FED. AID PROJECT