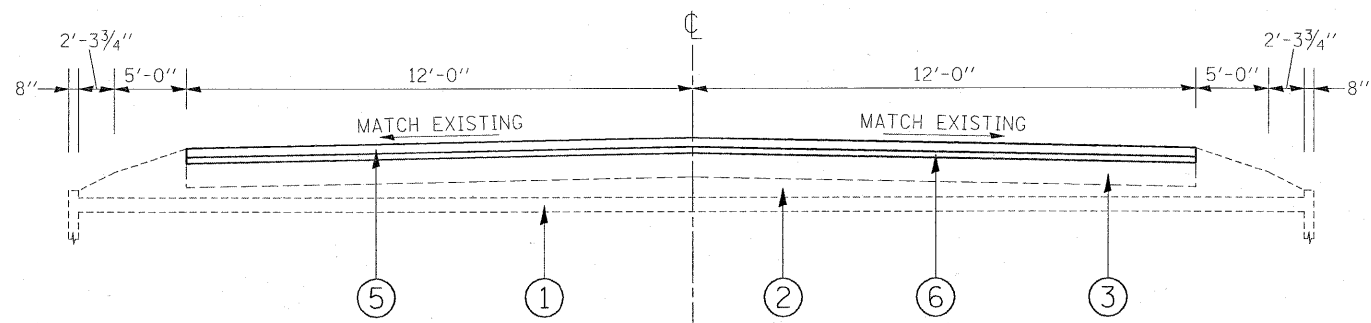


MANHATTAN-MONEE ROAD
EXISTING TYPICAL SECTION
S.N. 099-0194

STA. 135+71.44 TO STA. 136+08.56



MANHATTAN-MONEE ROAD
PROPOSED TYPICAL SECTION
S.N. 099-0194

STA. 135+71.44 TO STA. 136+08.56

LEGEND

- ① EXISTING CONCRETE BOX CULVERT
- ② EXISTING AGGREGATE FILL, VARIOUS DEPTH
- ③ EXISTING HOT-MIX ASPHALT, 9 1/4 "
- ④ PROPOSED HOT-MIX ASPHALT SURFACE REMOVAL, 2 1/4 "
- ⑤ PROPOSED HOT-MIX ASPHALT SURFACE COURSE, MIX "D" N70, 1 1/2"
- ⑥ PROPOSED POLYMERIZED LEVELING BINDER (MACHINE METHOD),
IL-4.75, N50, 3/4 "

FILE NAME =	USER NAME = smthkl	DESIGNED -	REVISED -	STATE OF ILLINOIS DEPARTMENT OF TRANSPORTATION	MANHATTAN-MONEE ROAD TYPICAL BRIDGE CROSS-SECTIONS S.N. 099-0194			F.A.P. RTE. 531	SECTION 2004-044RS	COUNTY WILL	TOTAL SHEETS 16	SHEET NO. 5
ca:\pwwork\pwwork\smthkl\10137269\1010204-shr-plan.dgn	PLOT SCALE = 50.0000' / IN.	DRAWN -	REVISED -		SCALE: 1" = 50'	SHEET NO.	OF	SHEETS	STA.	TO STA.	ILLINOIS FED. AID PROJECT CONTRACT NO. 62659	
	PLOT DATE = 4/14/2009	CHECKED -	REVISED -									
		DATE -	REVISED -									