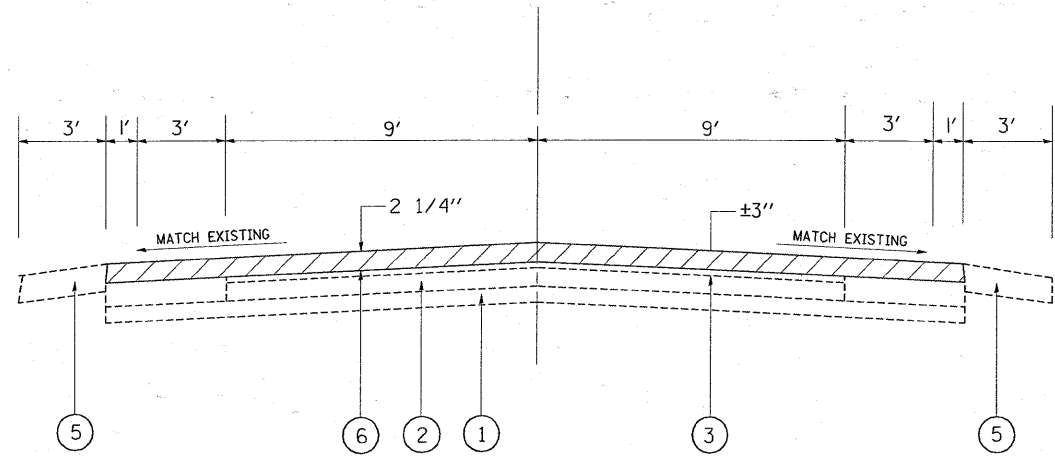
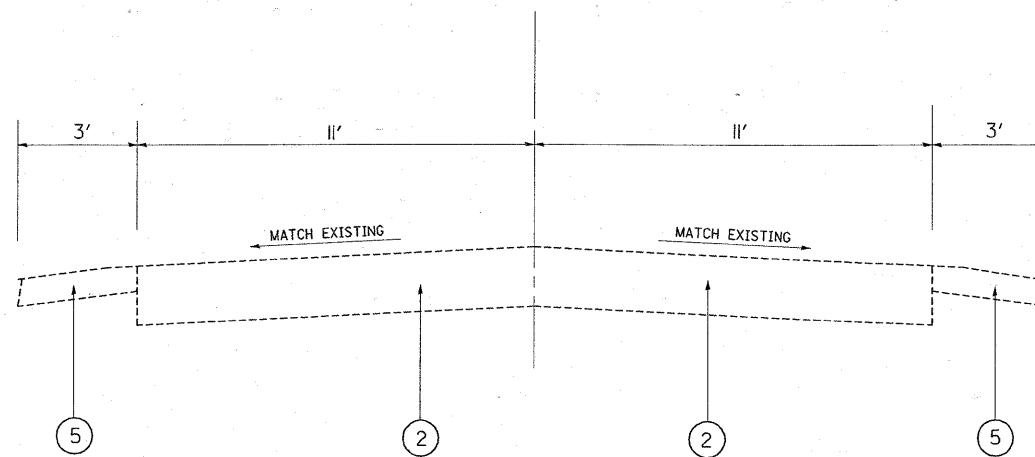


IL RTE 113



ILLINOIS ROUTE 113
EXISTING TYPICAL SECTION
LOCATION 1
STA. 17+24 TO STA. 180+00

IL RTE 113

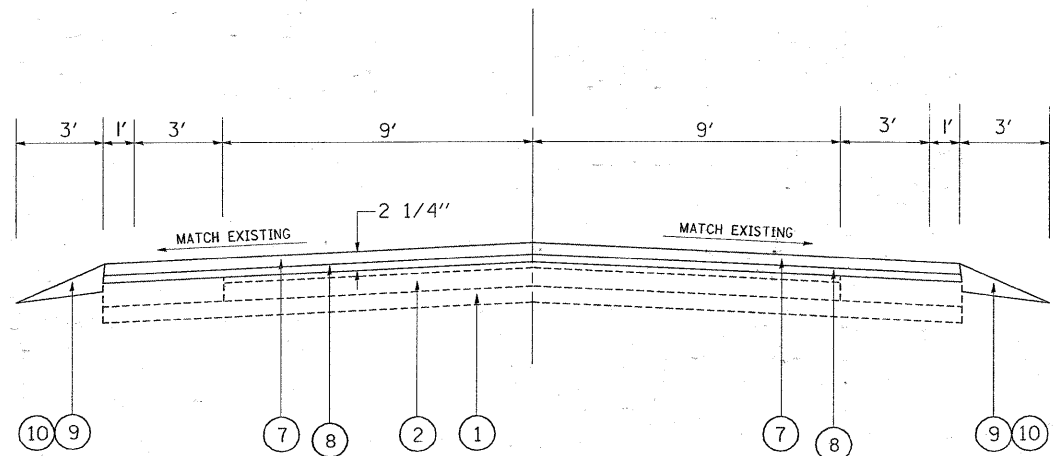


ILLINOIS ROUTE 113
EXISTING TYPICAL SECTION
LOCATION 2
STA. 17+24 TO STA. 180+00

LEGEND

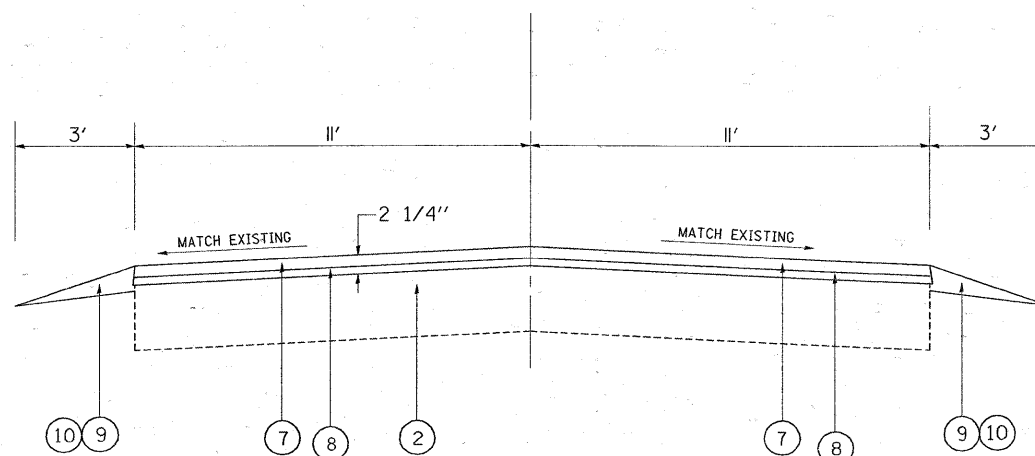
- ① EXISTING AGGREGATE SUB-BASE
- ② EXISTING PCC BASE COURSE, ±9"
- ③ EXISTING HOT-MIX ASPHALT OVERLAY, ±3"
- ④ EXISTING CONCRETE CURB & GUTTER, TYPE B-6.24
- ⑤ EXISTING AGGREGATE SHOULDER
- ⑥ PROPOSED HOT-MIX ASPHALT SURFACE REMOVAL 2 1/4"
- ⑦ PROPOSED HOT-MIX ASPHALT SURFACE COURSE, MIX "D", N70, 1 1/2 "
- ⑧ PROPOSED POLYMERIZED HOT-MIX ASPHALT LEVELING BINDER, (MM), IL-4.75, N50, 3/4"
- ⑨ PROPOSED AGGREGATE WEDGE SHOULDER, TYPE B
- ⑩ PROPOSED GRADING AND SHAPING SHOULDERS

IL RTE 113



ILLINOIS ROUTE 113
PROPOSED TYPICAL SECTION
LOCATION 1
STA. 17+24 TO STA. 180+00

IL RTE 113



ILLINOIS ROUTE 113
PROPOSED TYPICAL SECTION
LOCATION 2
STA. 17+24 TO STA. 180+00

FILE NAME =	USER NAME = smthkl	DESIGNED -	REVISED -	STATE OF ILLINOIS DEPARTMENT OF TRANSPORTATION	IL RTE. 113 (IL RTE 53 TO RIVER ST. & N. OF HORSE CREEK TO GRANT ST.) PROPOSED TYPICAL SECTIONS	F.A.S. RTE. 2320/299	SECTION 43RS-1	COUNTY WILL	TOTAL SHEETS 21	SHEET NO. 5	
CONTRACT NO. 62688	CONTRACT NO. 62688	CONTRACT NO. 62688	CONTRACT NO. 62688			CONTRACT NO. 62688	CONTRACT NO. 62688	CONTRACT NO. 62688	CONTRACT NO. 62688	CONTRACT NO. 62688	CONTRACT NO. 62688
PLOT SCALE = 50.0000' / IN.	CHECKED -	REVISOR -	DATE -			SCALE:	SHEET NO. OF SHEETS STA. TO STA.	ILLINOIS FED. AID PROJECT			
PLOT DATE = 4/21/2009	DATE -	REVISOR -	DATE -								