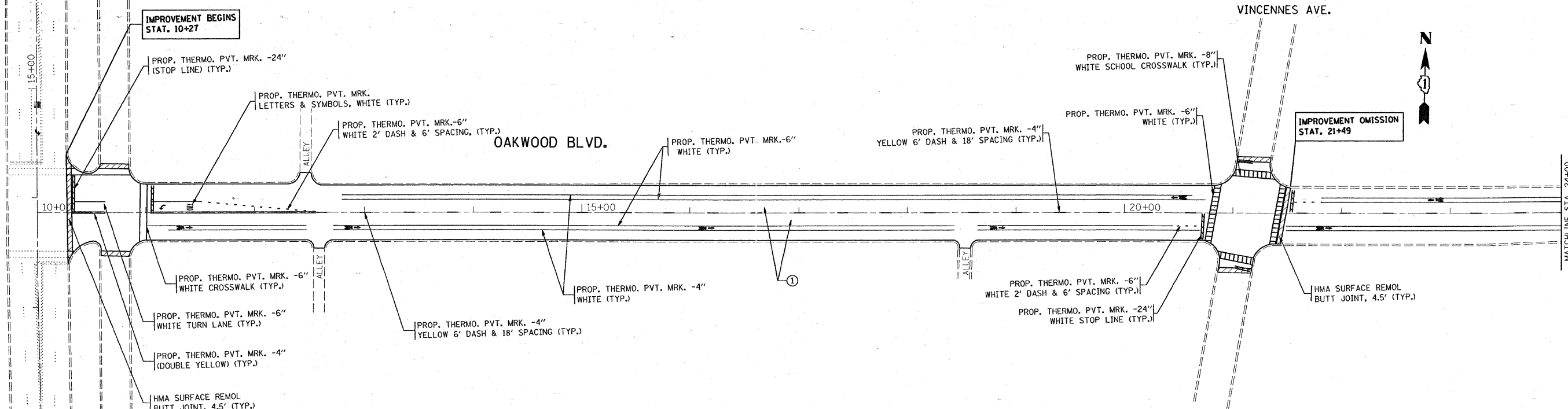
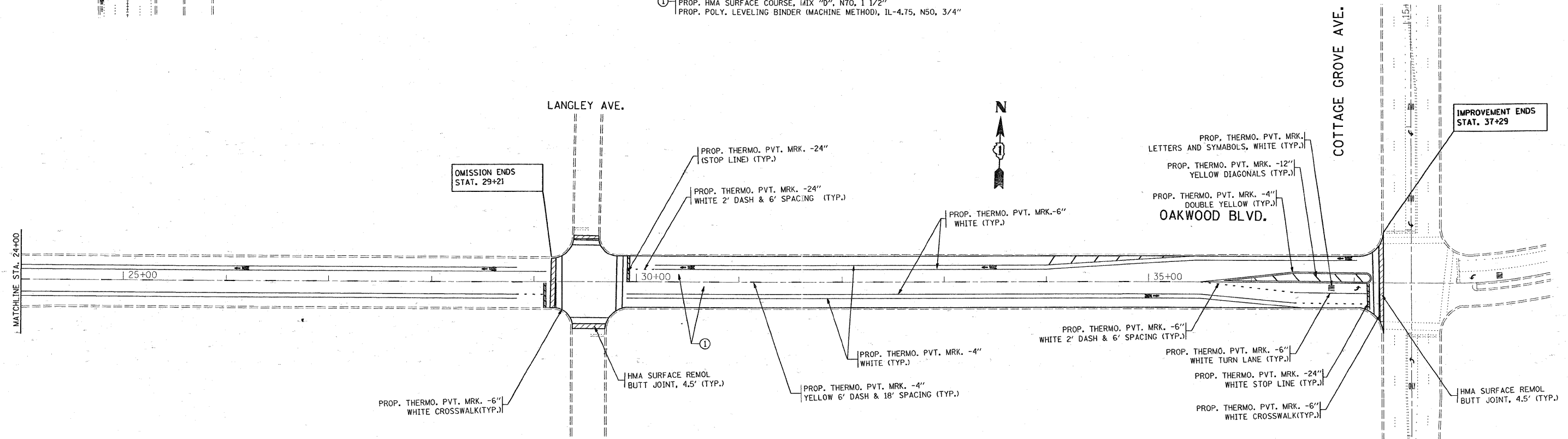


S. MARTIN LUTHER KING JR. DR.



① PROP. HMA SURFACE REMOVAL, 2 1/4"
 PROP. HMA SURFACE COURSE, MIX "D", N70, 1 1/2"
 PROP. POLY. LEVELING BINDER (MACHINE METHOD), IL-4.75, N50, 3/4"



① PROP. HMA SURFACE REMOVAL, 2 1/4"
 PROP. HMA SURFACE COURSE, MIX "D", N70, 1 1/2"
 PROP. POLY. LEVELING BINDER (MACHINE METHOD), IL-4.75, N50, 3/4"

FILE NAME =	USER NAME = estmablek	DESIGNED -	REVISED -	STATE OF ILLINOIS DEPARTMENT OF TRANSPORTATION	ROADWAY AND PAVEMENT MARKING PLAN			O.R. RTE.	SECTION	COUNTY	TOTAL SHEETS	SHEET NO.
o:\pwork\pmda\estmablek\d0137176\012304-sht-plan.dgn	PLOT SCALE = 50.0000' / IN.	DRAWN -	REVISED -		OAKWOOD BLVD. (MARTIN LUTHER KING JR. DR. - COTTAGE GROVE RD.)			98	2004-045 RS	COOK	17	6
PLOT DATE = 4/22/2009	DATE -	CHECKED -	REVISED -		SCALE: 1"=50'	SHEET NO.	OF SHEETS	STA.	TO STA.	CONTRACT NO. 62761		
					ILLINOIS FED. AID PROJECT							