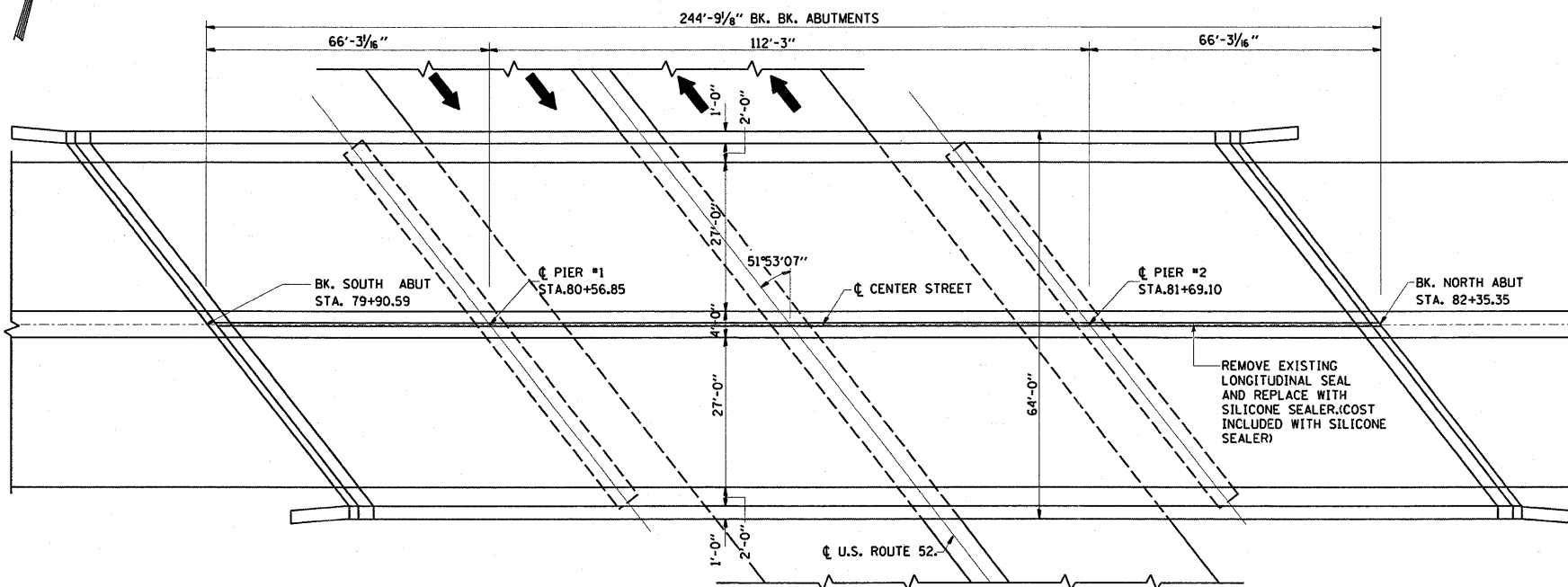
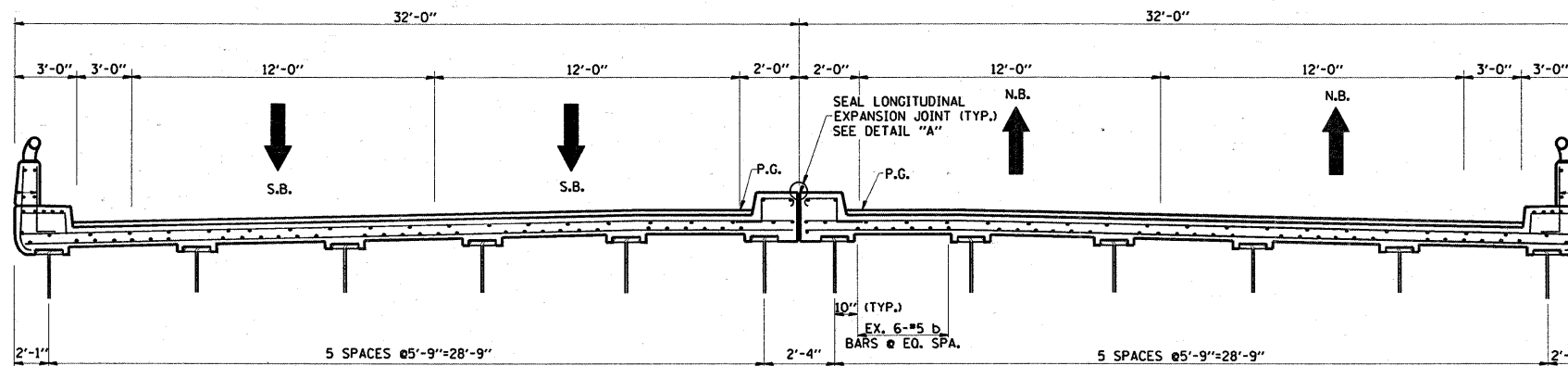


**ELEVATION**



**PLAN**

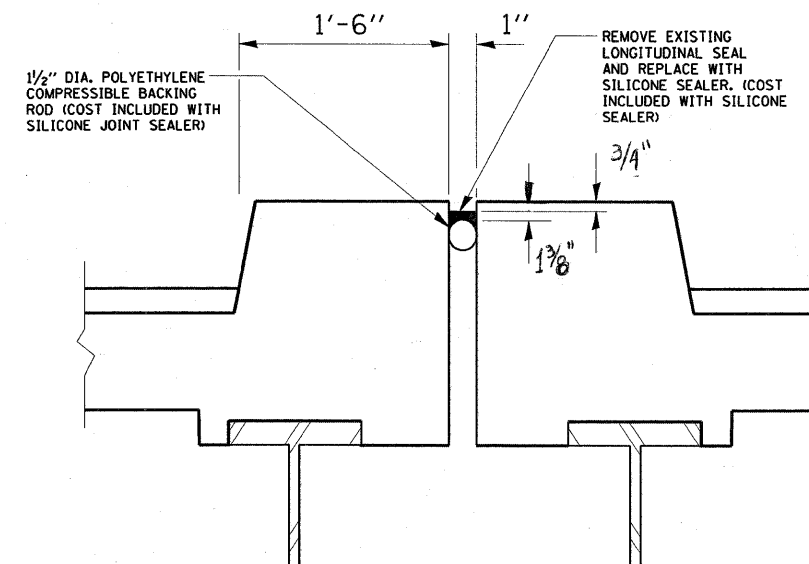


**TYPICAL CROSS SECTION**

NOTE: EXISTING REINFORCEMENT IS SHOWN FOR INFORMATIONAL PURPOSES ONLY

**GENERAL NOTES**

PLAN DIMENSIONS AND DETAILS RELATIVE TO EXISTING PLANS ARE SUBJECT TO ROUTINE VARIATIONS. THE CONTRACTOR SHALL FIELD VERIFY EXISTING DIMENSIONS AND DETAILS AFFECTING NEW CONSTRUCTION AND MAKE NECESSARY APPROVED ADJUSTMENTS PRIOR TO CONSTRUCTION OR ORDERING OF MATERIALS. SUCH VARIATIONS SHALL NOT BE CAUSE FOR ADDITIONAL COMPENSATION FOR A CHANGE IN SCOPE OF WORK, HOWEVER, THE CONTRACTOR WILL BE PAID FOR THE QUANTITY ACTUALLY FURNISHED BASED UPON THE UNIT PRICE BID FOR THE WORK.



**DETAIL "A"**

**TOTAL BILL OF MATERIALS**

ITEM	UNIT	QUANTITY
SILICONE JOINT SEALER, 1"	FOOT	245