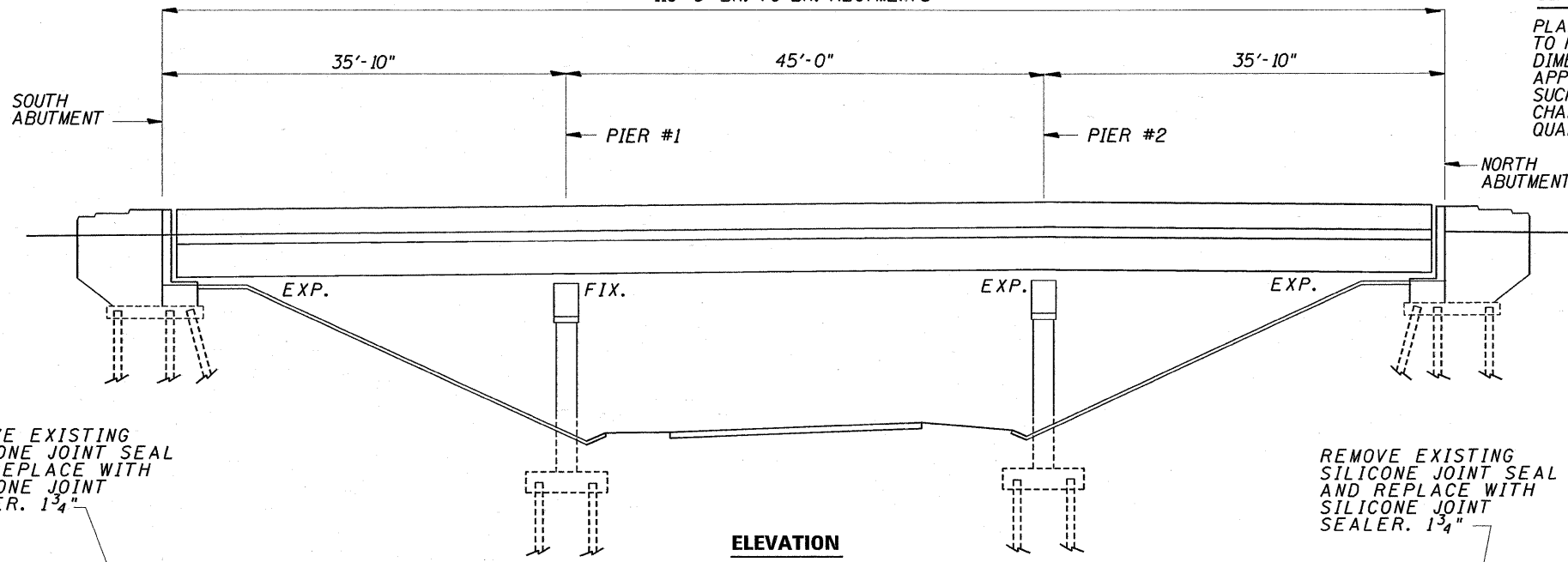


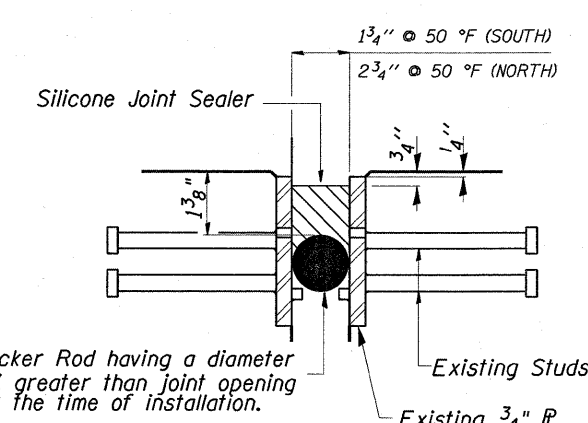
116'-8" BK. TO BK. ABUTMENTS

GENERAL NOTES

PLAN DIMENSIONS AND DETAILS RELATIVE TO EXISTING PLANS ARE SUBJECT TO ROUTINE VARIATIONS. THE CONTRACTOR SHALL VERIFY EXISTING DIMENSIONS AND DETAILS AFFECTING NEW CONSTRUCTION AND MAKE NECESSARY APPROVED ADJUSTMENTS PRIOR TO CONSTRUCTION OR ORDERING OF MATERIALS. SUCH VARIATIONS SHALL NOT BE CAUSE FOR ADDITIONAL COMPENSATION FOR A CHANGE IN SCOPE OF WORK, HOWEVER, THE CONTRACTOR WILL BE PAID FOR THE QUANTITY ACTUALLY FURNISHED BASED UPON THE UNIT PRICE BID FOR THE WORK.



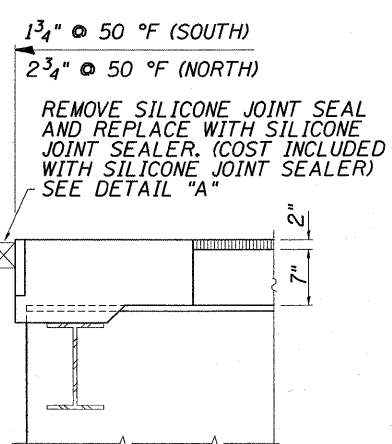
ELEVATION



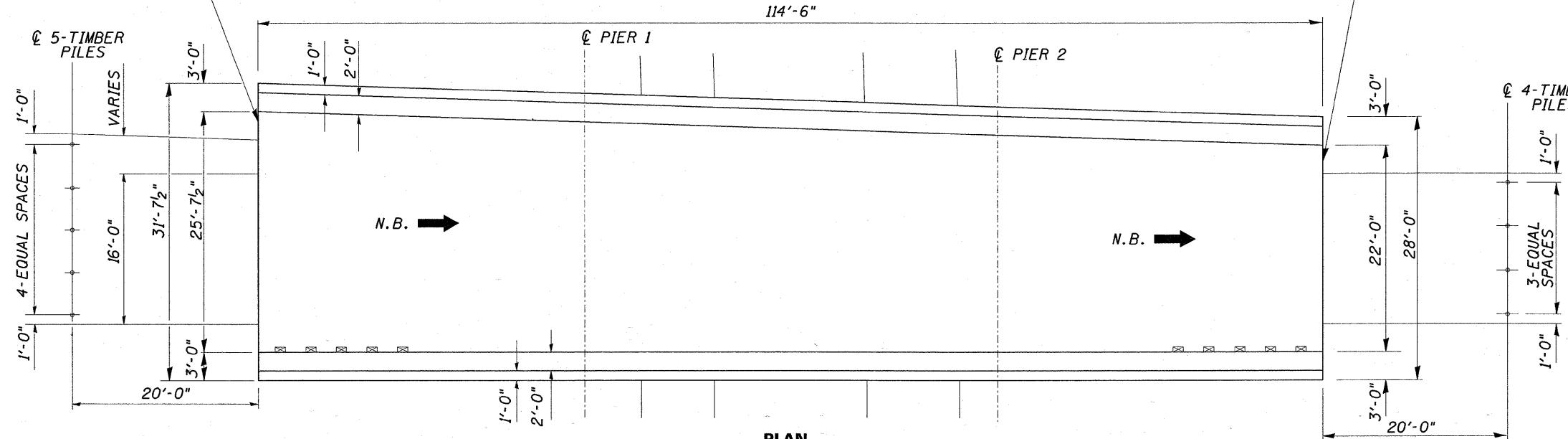
Backer Rod having a diameter 25% greater than joint opening at the time of installation.

REMOVE EXISTING SILICONE JOINT SEAL AND REPLACE WITH SILICONE JOINT SEALER. 1 3/4"

REMOVE EXISTING SILICONE JOINT SEAL AND REPLACE WITH SILICONE JOINT SEALER. 1 3/4"



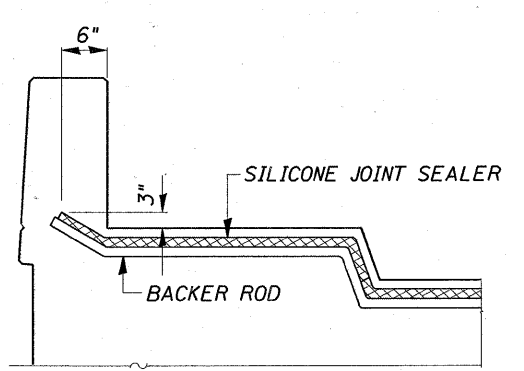
EXISTING TRANSVERSE JOINT NORTH AND SOUTH ABUTMENT



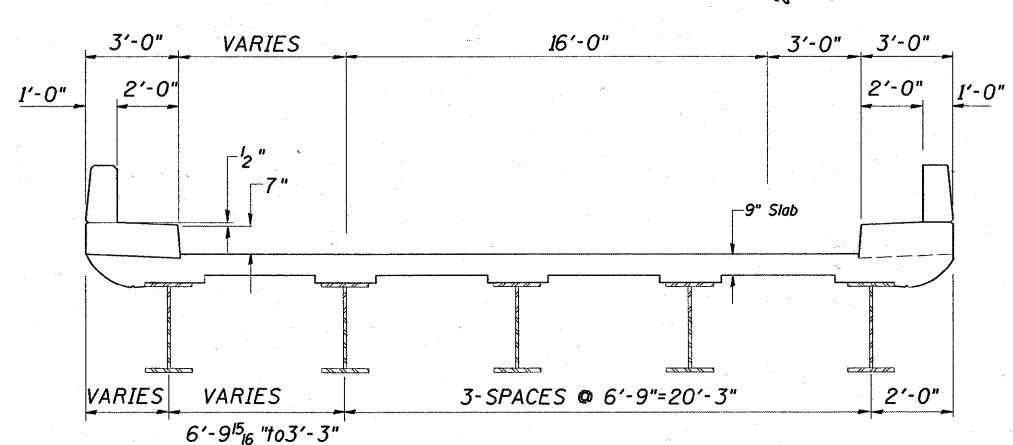
PLAN

TOTAL BILL OF MATERIALS

ITEM	UNIT	QUANTITY
SILICONE JOINT SEALER, 1 3/4"	Foot	32
SILICONE JOINT SEALER, 2 3/4"	Foot	28



END OF SEAL TREATMENT



CROSS SECTION