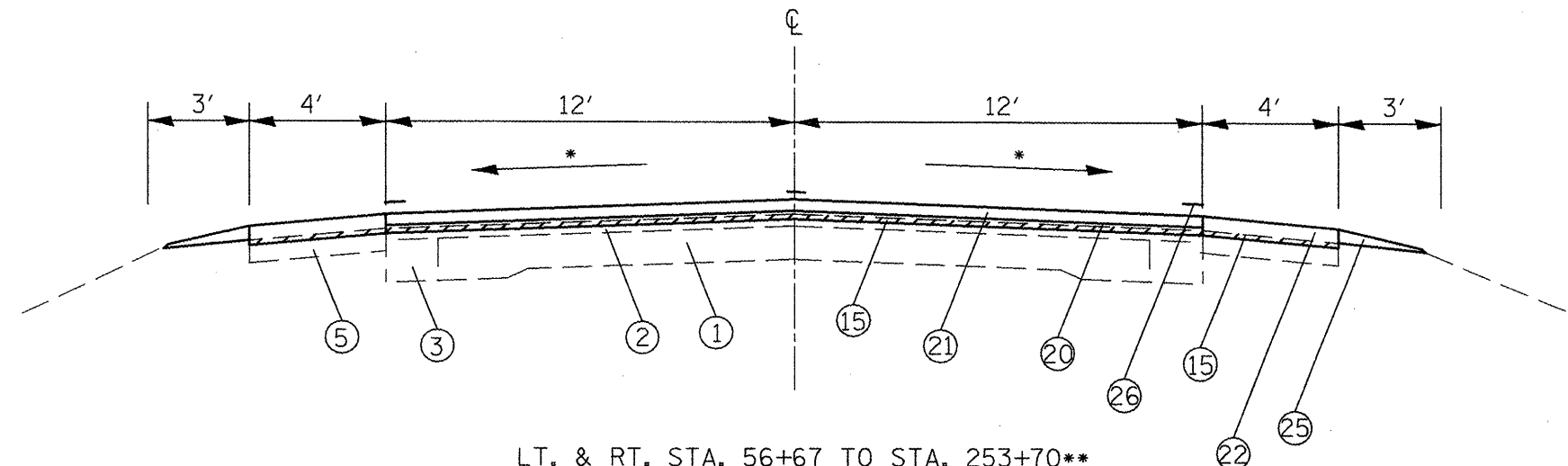


3R POLICY SECTION

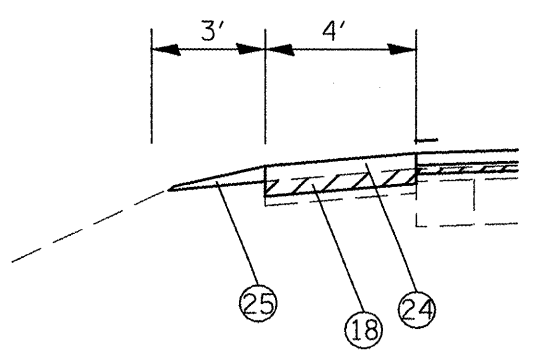
LT. & RT. STA. 475+63.9 STA. 501+71.3
 LT. & RT. STA. 27+12 TO STA. 56+96

(STA. EQUATION 501+71.3 BK = 27+12 AH)
 *MATCH EXISTING CROSS SLOPES

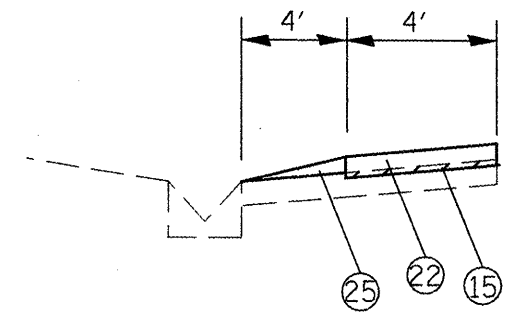


LT. & RT. STA. 56+67 TO STA. 253+70**
 RT. STA. 253+70 TO 261+49 (BERNADOTTE ST.)
 LT. STA. 282+41 (R.R. CROSSING) TO 285+68
 LT. & RT. STA. 289+00 TO 504+48**

*MATCH EXISTING CROSS SLOPES
 **REFER TO SUPER ELEVATED SECTIONS



LT. STA. 321+76.42 TO 349+89.47



RT. STA. 282+41 (R.R. CROSSING) TO 289+00
 LT. STA. 285+68 TO 289+00

LEGEND	
<u>EXISTING</u>	
1.	P.C.C. 9-6-9 PAVEMENT
2.	4 1/2 " +/- BIT. OVERLAYS
3.	BIT. BASE COURSE WIDENING
4.	AGGREGATE SHOULDER
5.	BITUMINOUS SHOULDERS
6.	TYPE A GUTTER OR COMB. CONCRETE CURB & GUTTER
7.	BITUMINOUS PARKING LANE
<u>PROPOSED</u>	
15.	HMA SURFACE REMOVAL, 1/2 "
16.	HMA SURFACE REMOVAL, 1 1/2"
17.	HMA SURFACE REMOVAL, VAR. DEPTH
18.	HMA SURFACE REMOVAL, 4"
19.	BIT. CONC. SHOULDER REMOVAL
20.	3/4" POLY LEVELING BINDER (MACHINE METHOD), IL-4.75, N50
21.	1 1/2" HMA SURFACE COURSE MIX "D" N50
22.	2 1/4" HMA SURFACE COURSE MIX "C" N30
23.	HMA SHOULDERS 8"
24.	HMA SHOULDERS 5 3/4"
25.	AGGREGATE SHOULDERS, TYPE B
26.	EPOXY PAVEMENT MARKING

NOT DRAWN TO SCALE