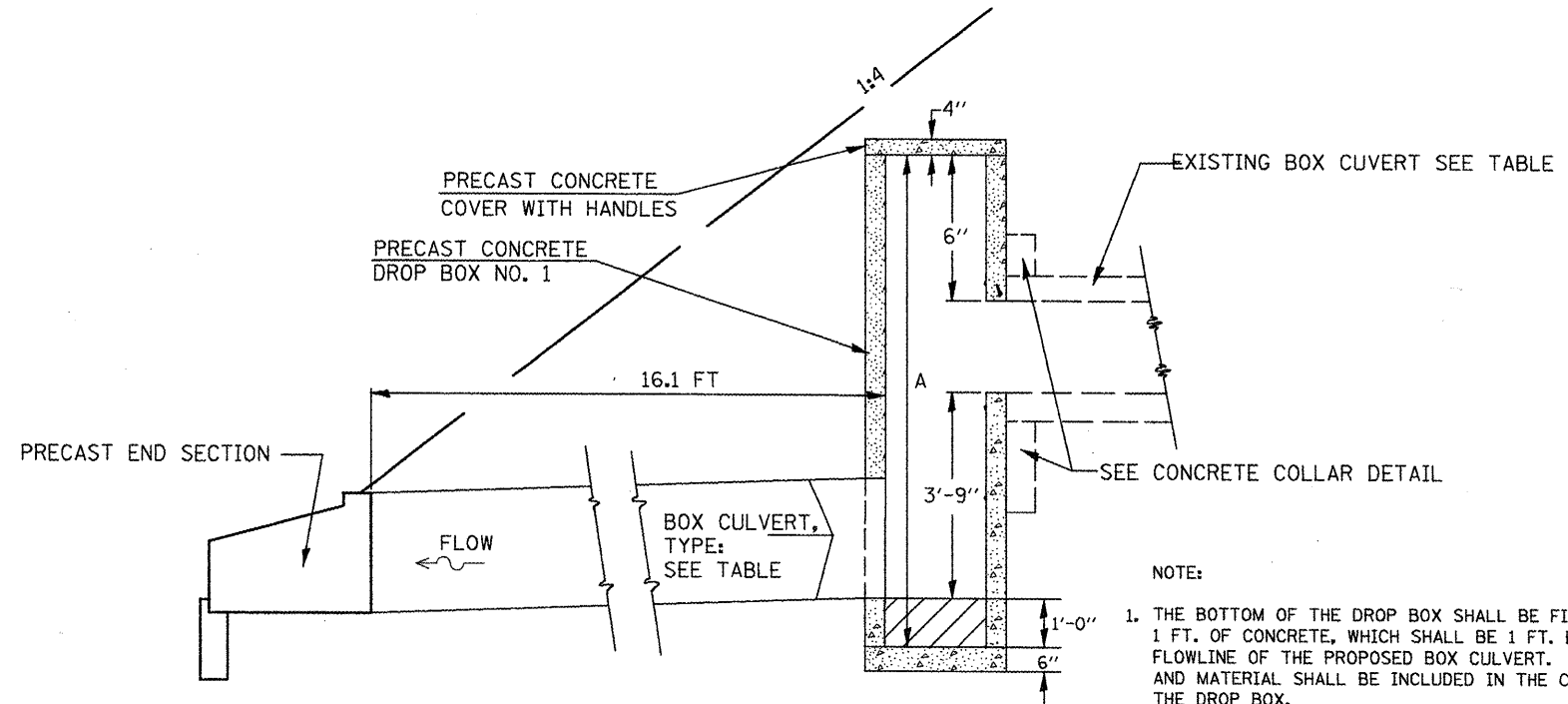


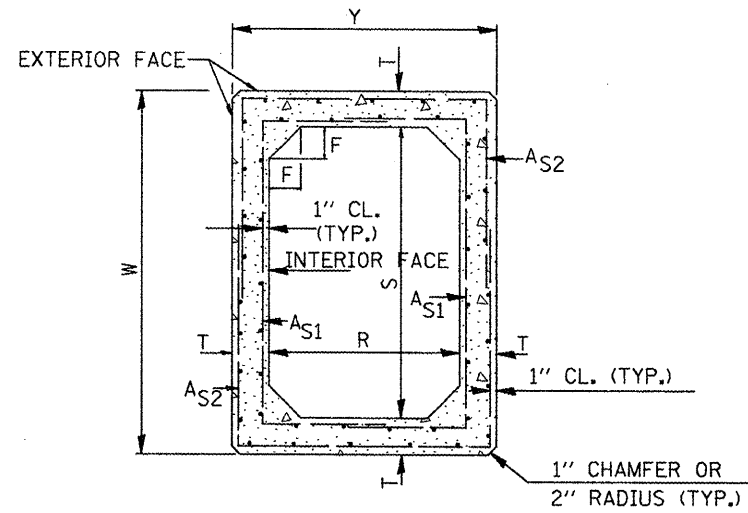
PLAN



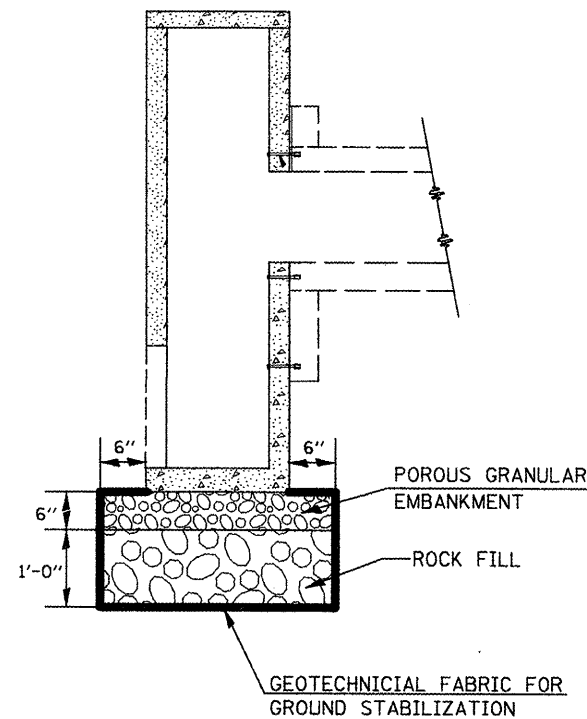
SECTION A-A

NOTE:

1. THE BOTTOM OF THE DROP BOX SHALL BE FILLED WITH 1 FT. OF CONCRETE, WHICH SHALL BE 1 FT. BELOW THE FLOWLINE OF THE PROPOSED BOX CULVERT. THE WORK AND MATERIAL SHALL BE INCLUDED IN THE COST OF THE DROP BOX.
2. THE TERMS AS1 & AS2 DENOTES THE MINIMUM REQUIRED STEEL AREAS FOR REINFORCEMENT AS SPECIFIED IN ASTM C 789. REINFORCEMENT SHALL BE WELDED WIRE FABRIC CONFORMING TO ASTM SPECIFICATION A185.
3. THIS WORK SHALL BE PERFORMED IN ACCORDANCE WITH SECTION 503 OF THE STANDARD SPECIFICATION.



SECTION THRU DROP BOX



UNDERCUT TREATMENT

DIMENSIONS

S x R	T	W	Y	F	A _{S1}	A _{S2}
4' X 4'	6"	5'-0"	5'-0"	5"	0.12	0.12
5' X 5'	6"	6'-0"	6'-0"	6"	0.14	0.14

LOCATION	DROP BOX NO.	DROP BOX SIZE	BOX CULV. SIZE	A	ROCKFILL	POROUS GRANULAR EMBANKMENT	GEOTECH. FABRIC
		S X R	B X C	FOOT	TON	TON	SQ. YD.
RT. STA. 490+33.16	2	5 X 5	5 X 4	10'-4"	3.7	1.9	8.6
RT. STA. 497+77*	4	4 X 4	3 X 3	10'-6"	2.7	1.4	6.7

DRAWING NOT TO SCALE