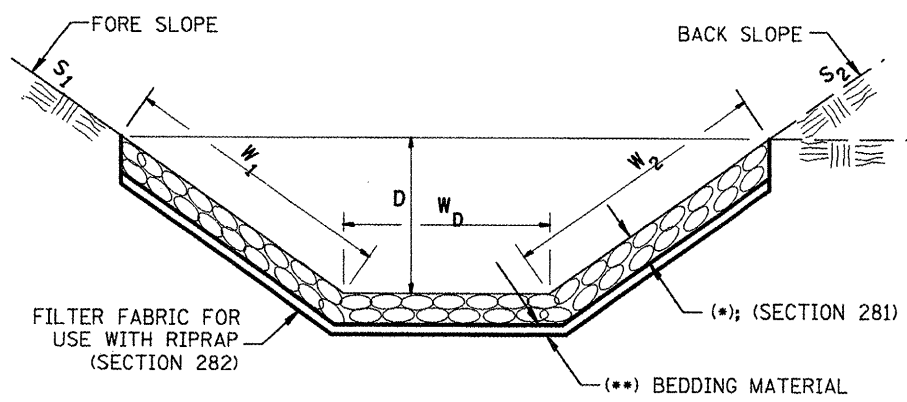


Designer Notes:
 1. Designer to modify this Special Detail Sheet, as needed for inclusion in plans.
 2. (*) Designer to specify pay item including material, quality, and gradation.
 3. (**) Designer to specify thickness of bedding material.
 4. Include District Special Provision if needed.

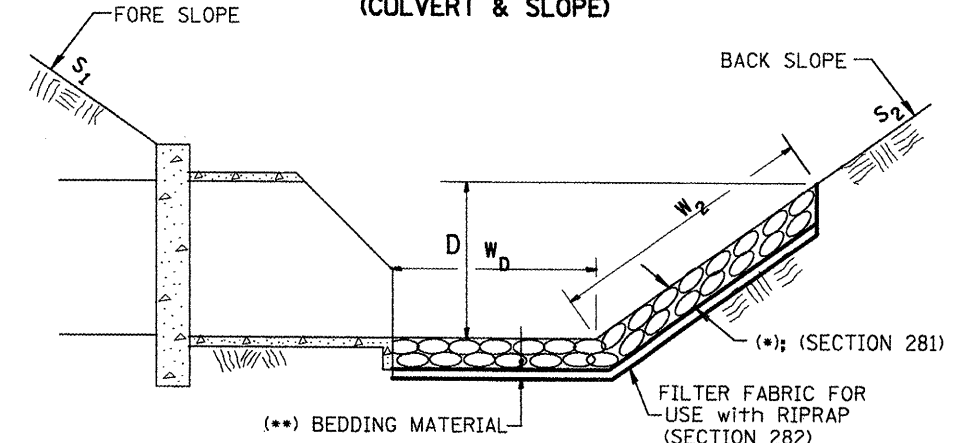
**CASE 1
(DITCH)**



(*)				
LOCATION	WIDTH (1)	LENGTH	RIPRAP	FABRIC
STA TO STA	lin ft (m)	lin ft (m)	tons (m tons)	sq yds (m ²)
TOTAL				

(1) WIDTH = $W_1 + W_2 + W_D$

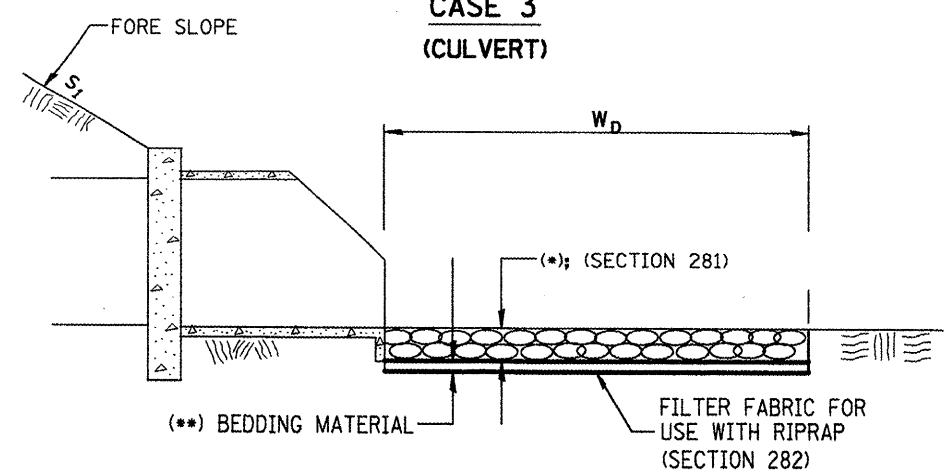
**CASE 2
(CULVERT & SLOPE)**



(*)				
LOCATION	WIDTH (1)	LENGTH	RIPRAP	FABRIC
STA TO STA	lin ft (m)	lin ft (m)	tons (m tons)	sq yds (m ²)
TOTAL				

(1) WIDTH = $W_2 + W_D$

**CASE 3
(CULVERT)**



(*)				
LOCATION	WIDTH (1)	LENGTH	RIPRAP	FABRIC
STA TO STA	lin ft (m)	lin ft (m)	tons (m tons)	sq yds (m ²)
TOTAL				

(1) WIDTH = W_D

All slope ratios are expressed as units of vertical displacement to units of horizontal displacement (V:H).
 All dimensions are in inches (millimeters) unless otherwise noted.

1-1-97	RENUM. A-12.02, NEW REVISION BOX	T.P.
12-1-97	CORRECT FILTER FABRIC LEADER ARROW	J.A.
10-16-06	REVISED TO 2007 SPEC.	M.A.

**STATE OF ILLINOIS
DEPARTMENT OF TRANSPORTATION**

RIPRAP DITCH FOR EROSION PROTECTION
 NOT TO SCALE
 CADD STD. 281001-D4

F.A. RTE.	SECTION	COUNTY	TOTAL SHEETS	SHEET NO.
				50
CONTRACT NO.				
FED. ROAD DIST. NO. ILLINOIS FED. AID PROJECT				