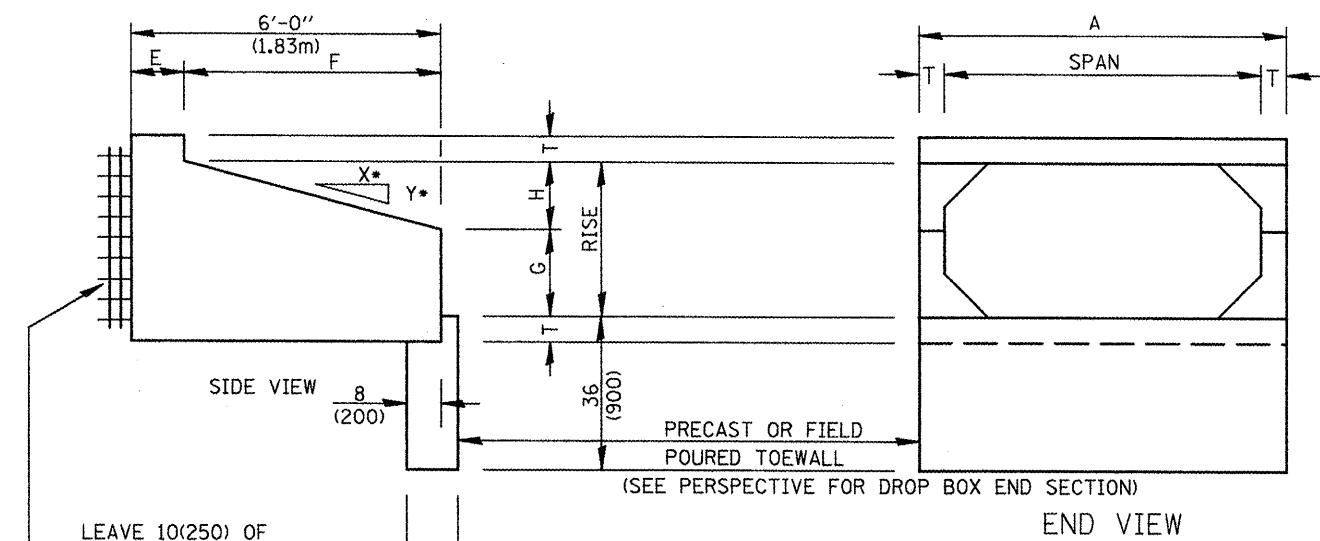
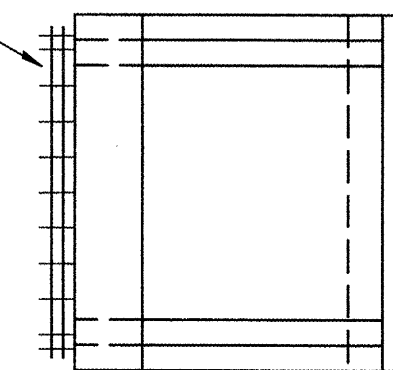


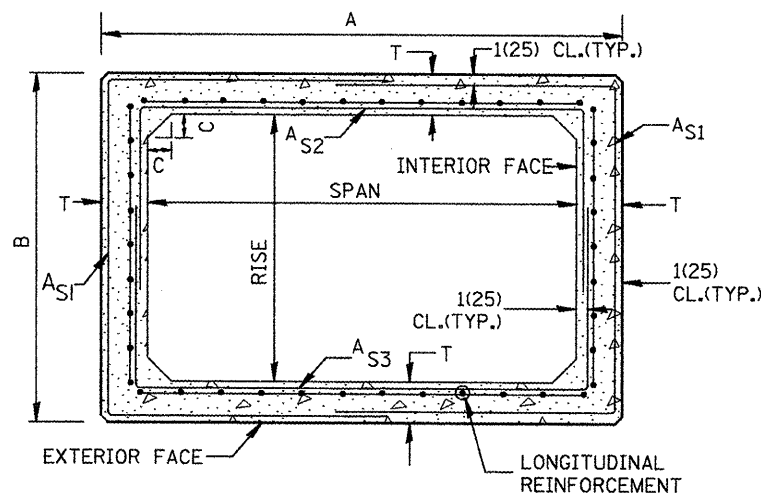
DESIGNER NOTES:  
 1. INSERT DISTRICT SPECIAL PROVISION.  
 2. TO BE USED IN CONJUNCTION WITH CONCRETE COLLAR.



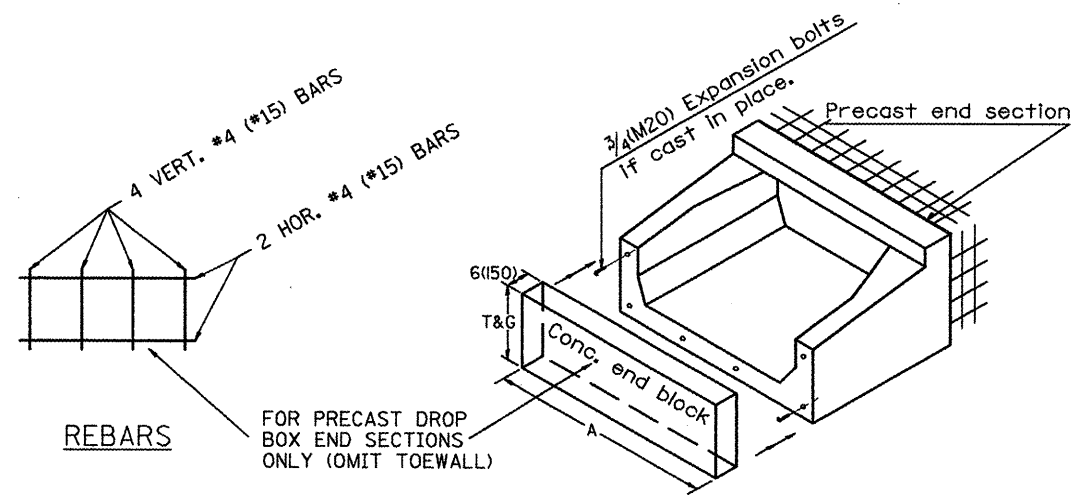
LEAVE 10(250) OF  
 REINFORCEMENT  
 EXPOSED AND  
 PLACE THIS END  
 INTO CONCRETE  
 COLLAR



PLAN



CROSS-SECTION



PERSPECTIVE

**GENERAL NOTES:**

- The Box Culvert Sections shall conform to ASTM C789 for 2' (0.6 m) cover or more. If less than 2' (0.6 m) of cover exists, then ASTM C-850 applies and modify Table 'B' and drawing.
- The Aggregate shall conform to the requirements of Articles 1003.02 and 1004.02 of the Standard Specifications. The gradation requirements do not apply.
- The External Sealing Band shall conform to ASTM C 877. The appropriate portions of Articles 550.02(i) and 1057.01 of the Standard Specifications shall apply.
- Shop plans for the Precast Reinforced Box Culvert Sections, End Sections and Drop Box End Sections shall be submitted in accordance with Article 540.06 of the Standard Specifications.
- All dimensions shall be verified with the Supplier.

All dimensions are in inches (millimeters) unless otherwise noted.

01-01-97	RENUM. J-12.08 AND J-12.09, NEW FORMAT, METRICS, NEW REVISION BOX, NOTES	T.P.	10-16-06	REVISED TO 2007 SPEC.	M.A.
05-01-97	CORRECT TITLE & GEN. NOTES	J.A.			
06-17-99	CORRECT DIMENSIONS	J.A.			

STATE OF ILLINOIS  
DEPARTMENT OF TRANSPORTATION

PRECAST CONCRETE BOX CULVERTS (SPECIAL),  
END SECTION (SPECIAL), &  
DROP BOX END SECTIONS (SPECIAL)

NOT TO SCALE

F.A. RTE.	SECTION	COUNTY	TOTAL SHEETS	SHEET NO.
				61
CONTRACT NO.				
FED. ROAD DIST. NO.		ILLINOIS FED. AID PROJECT		

SHT. 1 OF 2  
CADD STD. 540401-D4