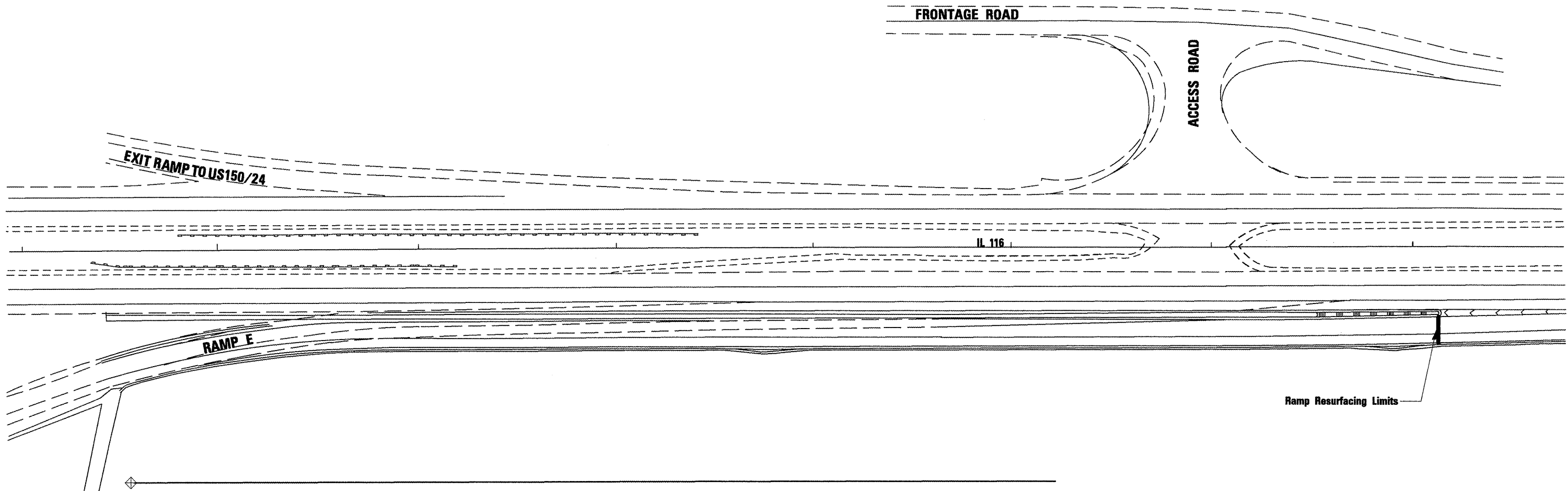
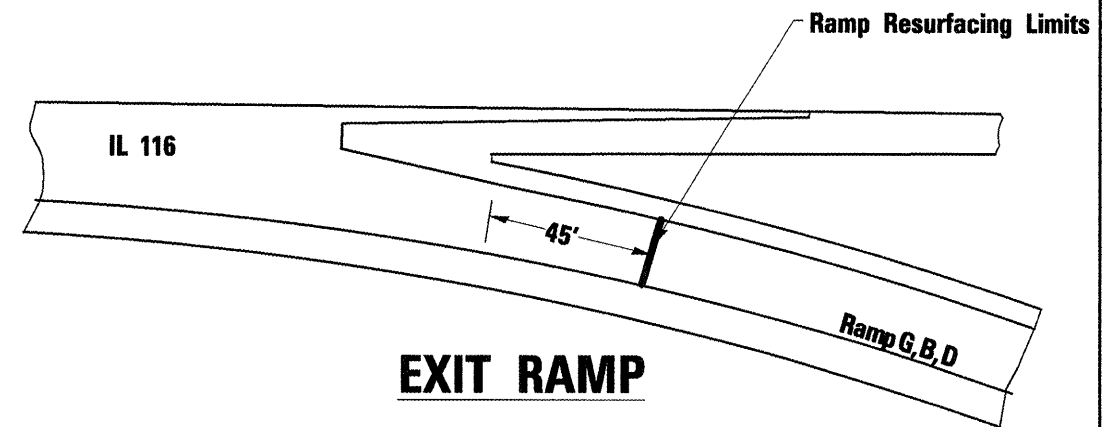
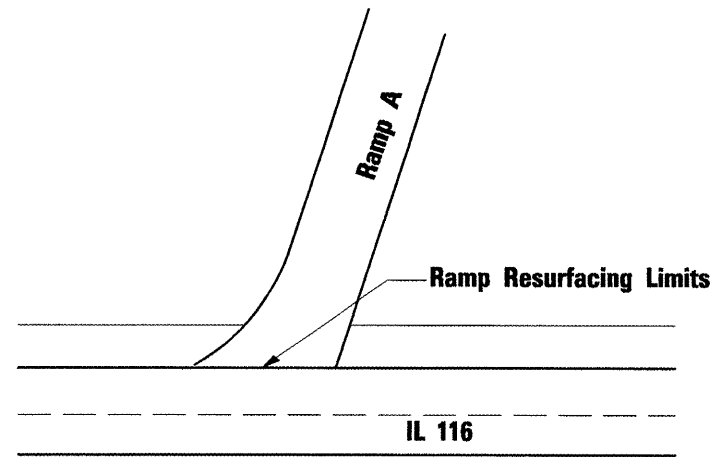
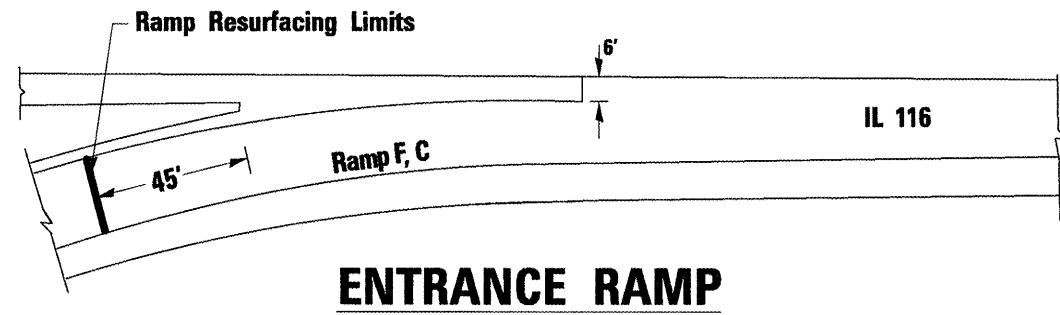


RAMP RESURFACING LIMITS



FILE NAME = 3P-US24EPE0.dgn	USER NAME = mcFaddenjk	DESIGNED -	REVISED -
		DRAWN -	REVISED -
	PLOT SCALE = 200.0000' / IN.	CHECKED -	REVISED -
	PLOT DATE = 4/9/2009	DATE -	REVISED -

**STATE OF ILLINOIS
DEPARTMENT OF TRANSPORTATION**

RAMP RESURFACING LIMITS			
SCALE: NONE	SHEET NO.	OF SHEETS	STA. TO STA.

F.A.P. RTE. 317	SECTION (16,13)RS-3, 17RS-5, 14RS-1	COUNTY *	TOTAL SHEETS 56	SHEET NO. 35
CONTRACT NO. 68455			US 24 FED. AID PROJECT	