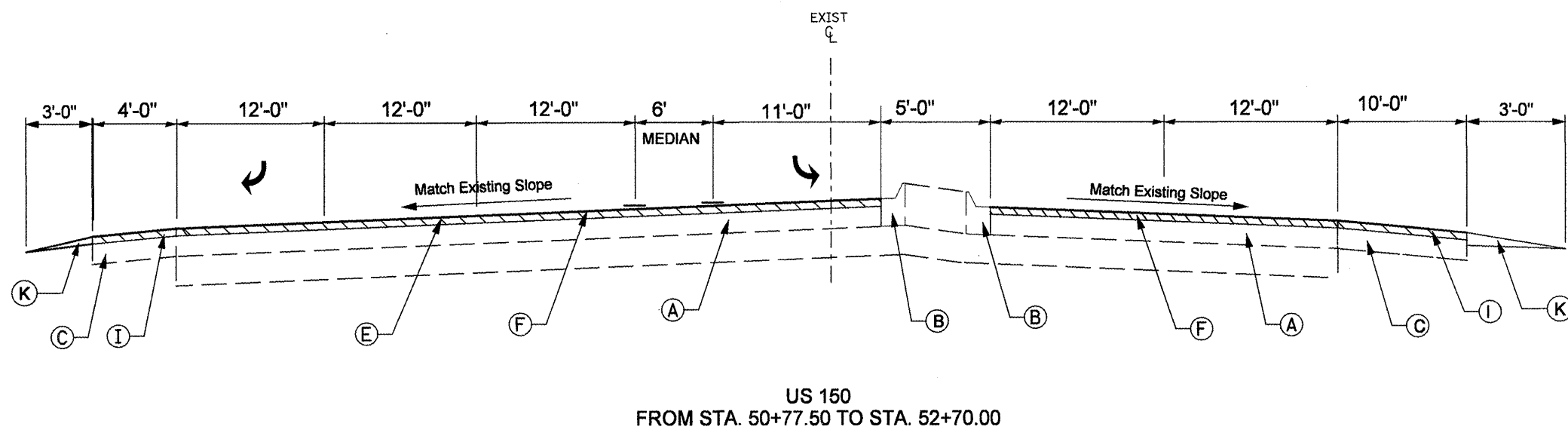


- (A) EXISTING PAVEMENT
- (B) EXISTING CURB & GUTTER
- (C) EXISTING SHOULDER
- (D) PAVED SHOULDER REMOVAL
- (E) PROPOSED HMA SURFACE REMOVAL 2"
- (F) PROPOSED HMA SURFACE COURSE, MIX "E", N70 2"
- (G) PROPOSED SUB-BASE GRANULAR MATERIAL, TYPE A 6"
- (H) PROPOSED PCC BASE COURSE 9"
- (I) PROPOSED HMA SURFACE COURSE MIX C N50 2"
- (J) PROPOSED HMA SHOULDERS 8"
- (K) PROPOSED AGGREGATE SHOULDER, TYPE B (WEDGE)
- (L) PROPOSED CONCRETE GUTTER TYPE A (MODIFIED)



FILE NAME = US150-68684.dgn	USER NAME = crespole	DESIGNED -	REVISED -	STATE OF ILLINOIS DEPARTMENT OF TRANSPORTATION	US 150 TYPICAL SECTIONS	F.A.P. RTE. 317	SECTION 116RS-3, 117 RS-4	COUNTY PEORIA	TOTAL SHEETS 54	SHEET NO. 8
	PLOT SCALE = 1/80,0000 "/> <td>DATE = 4/13/2009</td> <td>DRAWN -</td> <td>REVISED -</td> <td>SHEET NO. 1 OF 4 SHEETS</td> <td>STA. 37+94.33 TO STA. 161+86.20</td> <td colspan="4" style="text-align: center;">CONTRACT NO. 68864 ILLINOIS FED. AID PROJECT</td>	DATE = 4/13/2009	DRAWN -			REVISED -	SHEET NO. 1 OF 4 SHEETS	STA. 37+94.33 TO STA. 161+86.20	CONTRACT NO. 68864 ILLINOIS FED. AID PROJECT	