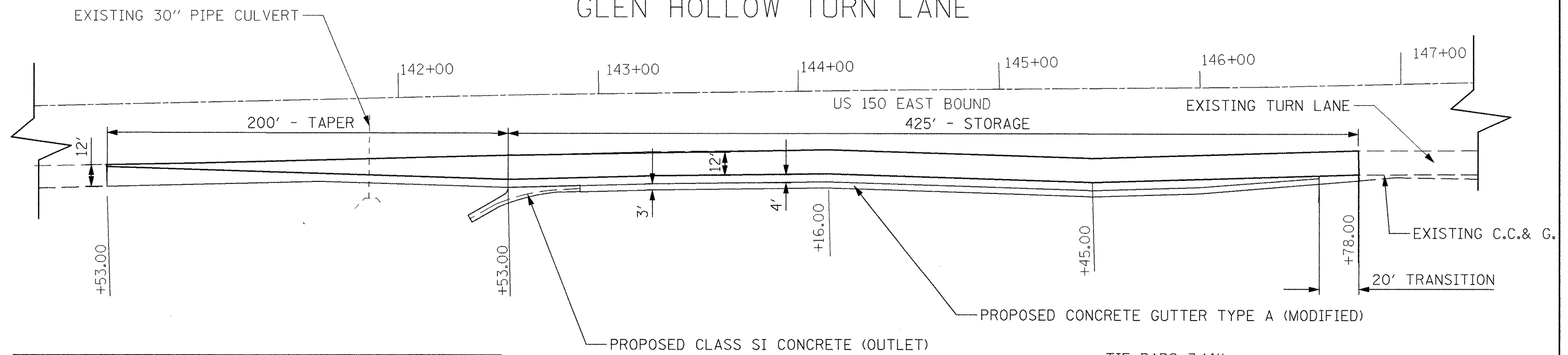
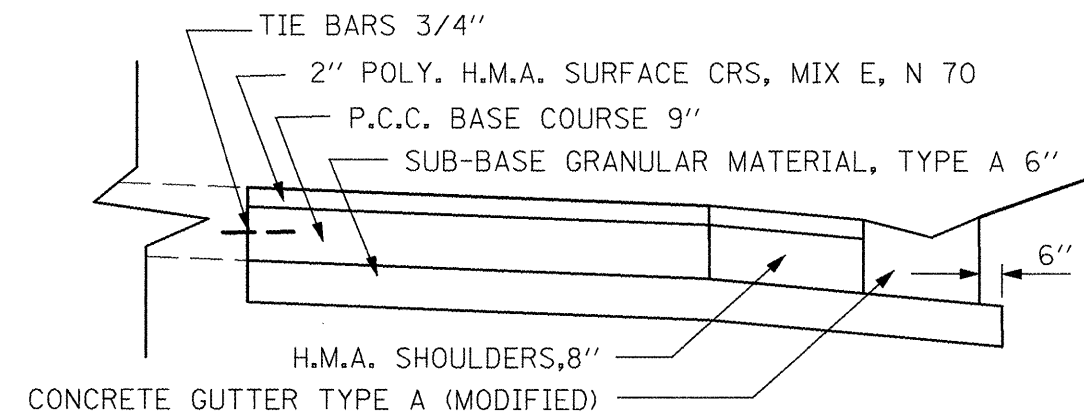


**EXISTING CONDITION
GLEN HOLLOW TURN LANE**



**PROPOSED CONDITION
GLEN HOLLOW TURN LANE**

PAY ITEMS	QUANTITIES
PAVED SHOULDER REMOVAL	657 SQYD
PAVEMENT REMOVAL	88 SQYD
SUB-BASE GRANULAR MATERIAL, TYPE A 6"	1178 SQYD
P.C.C. BASE COURSE 9"	714 SQYD
POLY. H.M.A. SURFACE CRS, MIX E, N 70	80 TON
TIE BARS 3/4"	314 EACH
CLASS SI CONCRETE (OUTLET)	9 CUYD
CONCRETE GUTTER TYPE A (MODIFIED)	389 FOOT
MOWING	185 UNITS



PAVEMENT DETAIL