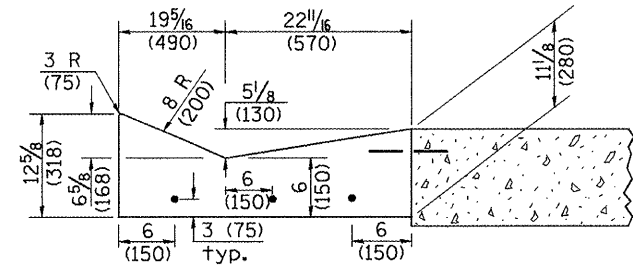
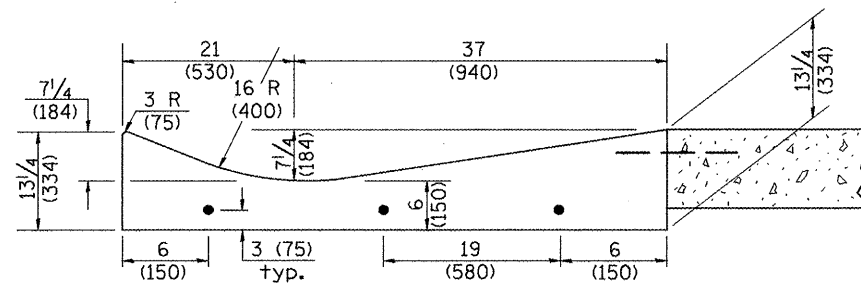


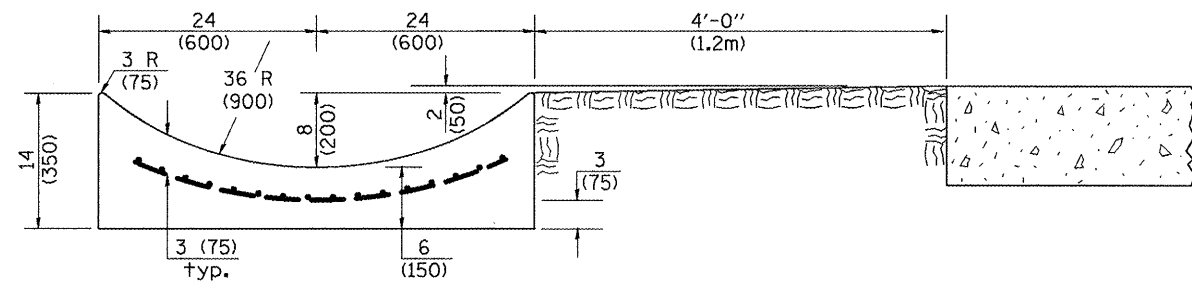
SECTION A-A



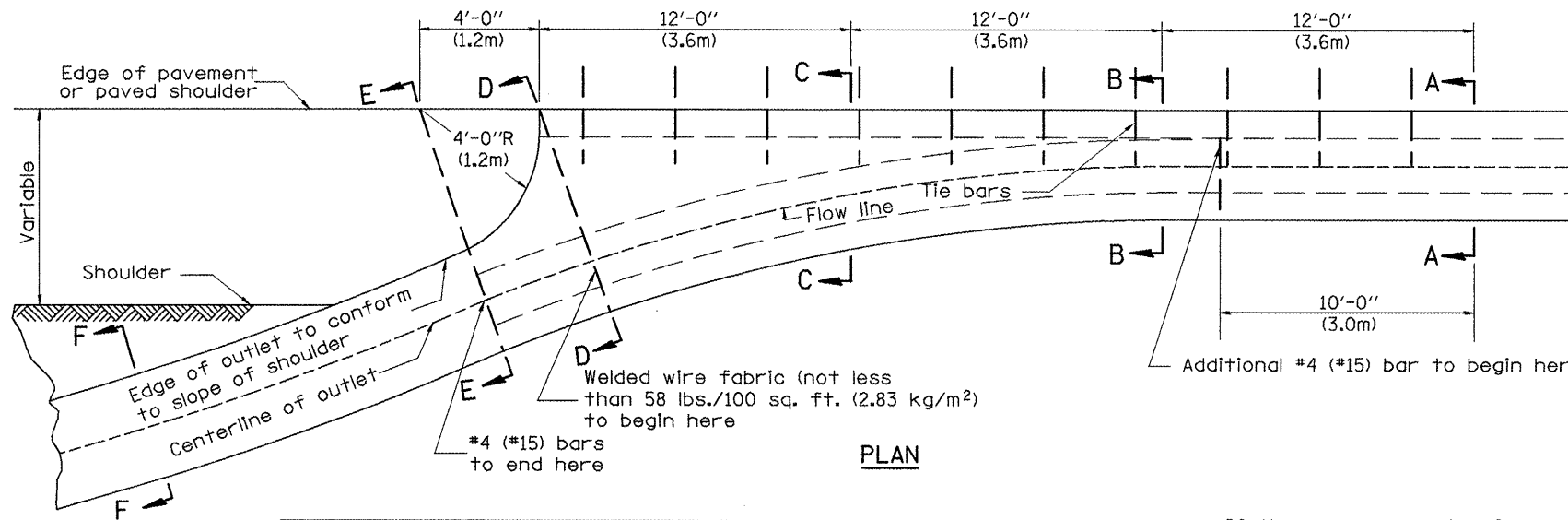
SECTION B-B



SECTION C-C



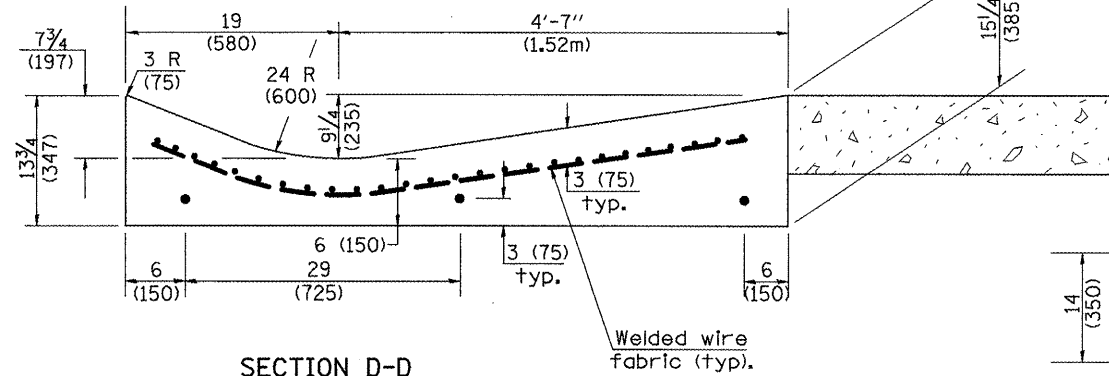
SECTION E-E



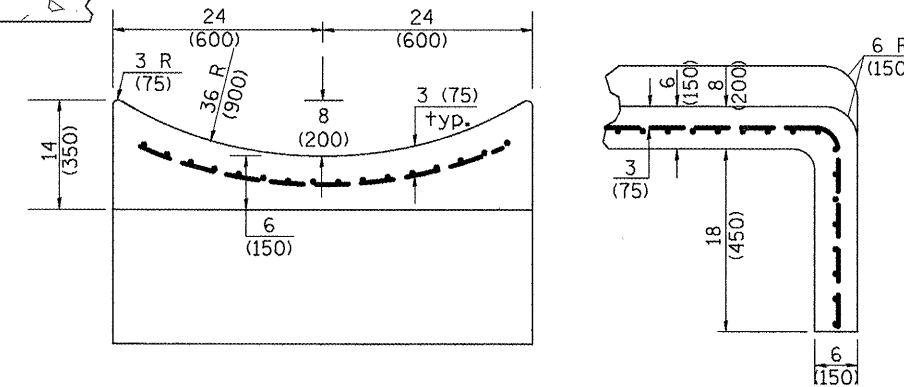
PLAN

QUANTITY
 Section A-A to E-E= 4.5 cu. yd. (3.36 m³) concrete.
 Section E-E to F-F= 0.10 cu. yd./ft. (0.26 m³/m) concrete.

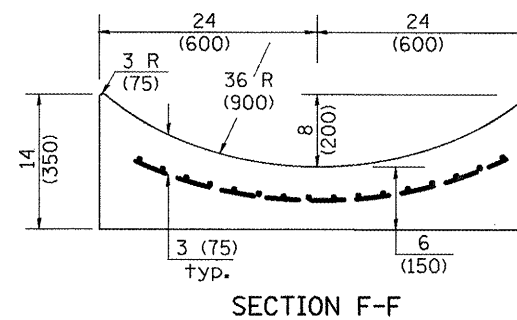
If the average grade of pavement for the distance from section A-A to section D-D exceeds 2%, this distance shall be increased 6 ft. (1.8 m) for each 1% increase in grade. A quantity adjustment is required.



SECTION D-D



SECTIONS AT END OF OUTLET
(CURTAIN WALL)



SECTION F-F

QUANTITY
 Curtain Wall = 0.1 cu. yd. (0.08 m³) concrete.

OUTLET

QUANTITIES	
CALC. BY:	DATE:
CHECKED BY:	DATE:

QUANTITY CALCULATIONS ARE ON FILE AT THE DISTRICT 4 OFFICE; BUREAU OF PROJECT IMPLEMENTATION; DOCUMENTATION SECTION

STATE OF ILLINOIS
 DEPARTMENT OF TRANSPORTATION

TYPE A GUTTER, (MODIFIED)
 (INLET, OUTLET & ENTRANCE)

NOT TO SCALE

SHT. 2 OF 3
 CADD STD. 606101-D4

All dimensions are in inches (millimeters) unless otherwise noted.

F.A.P. RTE.	SECTION	COUNTY	TOTAL SHEETS	SHEET NO.
317	116 RS-3, 117 RS-4	PEORIA	54	45
				CONTRACT NO. 68684
FED. ROAD DIST. NO. ILLINOIS FED. AID PROJECT				