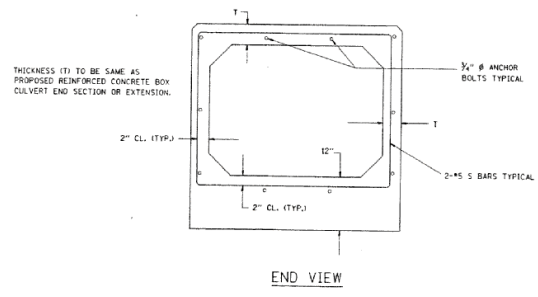
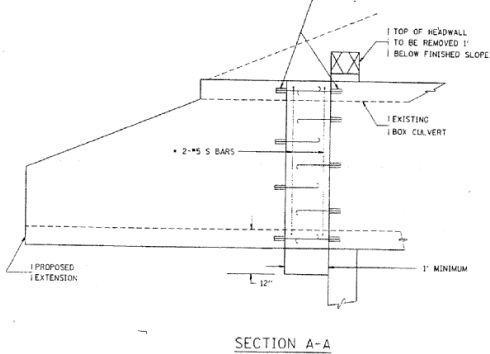
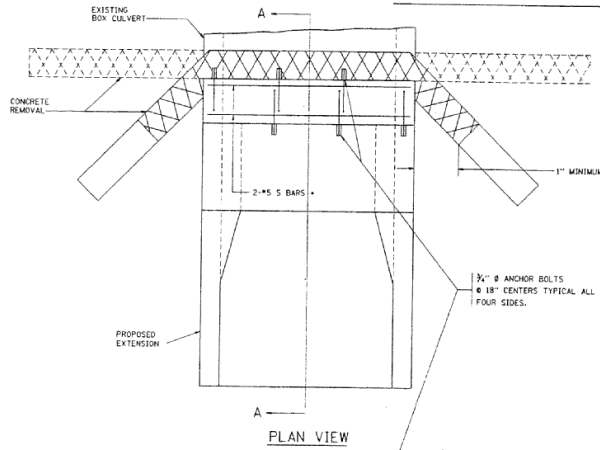


F.A.P. RTE.	SECTION	COUNTY	TOTAL SHEETS	SHEET NO.
323	(149,150)RS-3	EDGAR	83	37
STA.		TO STA.		
FED. ROAD DIST. NO.	ILLINOIS	FED. AID PROJECT		

DETAILS OF CONCRETE COLLAR FOR PRECAST BOX CULVERT EXTENSIONS



TABULATION

SPAN X RISE	CL. X CONC. CU. YD. (EST.)
2' x 2'	0.19
3' x 2'	0.24
3' x 3'	0.26
4' x 2'	0.32
4' x 3'	0.35
4' x 4'	0.36
5' x 2'	0.42
5' x 3'	0.46
5' x 4'	0.50
6' x 2'	0.53
6' x 3'	0.58
6' x 4'	0.62

INDICATES CONCRETE HEADWALL REMOVAL

GENERAL NOTES

ANCHOR BOLTS, MEETING THE REQUIREMENTS OF ARTICLE 710.02 OF THE STANDARD SPECIFICATIONS, SHALL EXTEND A MINIMUM OF 6 INCHES INTO THE NEW CONCRETE. EXPANSION SHIELDS SHALL PROVIDE A MINIMUM CERTIFIED PROOF LOAD OF 4000 POUNDS.

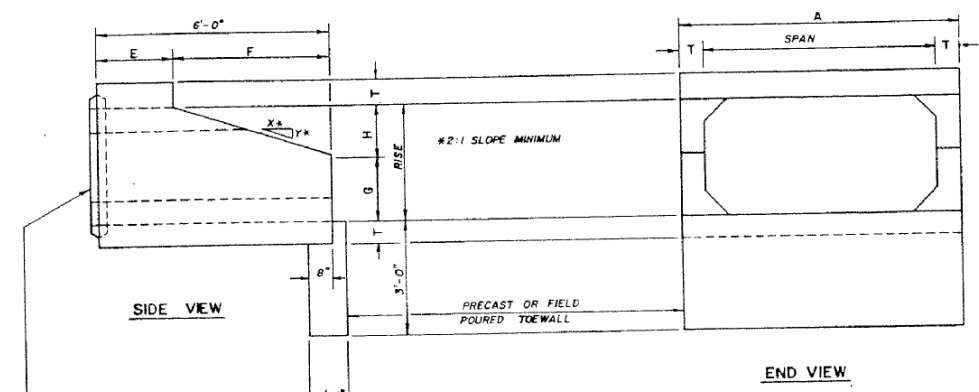
REINFORCEMENT BARS SHALL MEET THE REQUIREMENTS OF ARTICLE 710.03 OF THE STANDARD SPECIFICATIONS.

CLASS X CONCRETE SHALL BE USED THROUGHOUT.

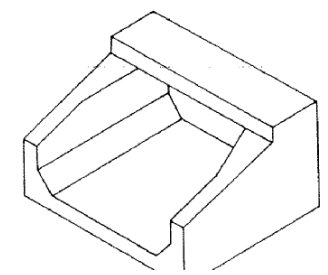
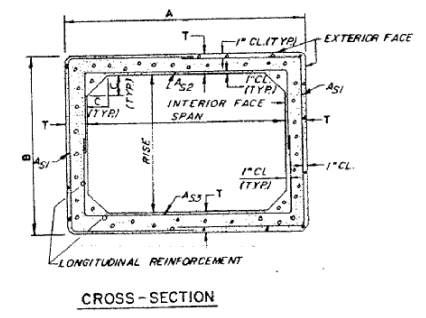
THE PRECAST END SECTION WILL BE PAID FOR AT THE CONTRACT UNIT PRICE EACH FOR PRECAST BOX CULVERT END SECTION OF THE SIZE SPECIFIED WHICH PRICE SHALL INCLUDE THE CONCRETE COLLAR, ANCHOR BOLTS, REINFORCEMENT AND TOEWALL IF ANY.

ANY PRECAST BOX CULVERT BARREL SECTIONS PLACED AS PART OF THE EXTENSION WILL BE IN ACCORDANCE WITH APPLICABLE PORTIONS OF SECTION 503 OF THE SPECIFICATIONS EXCEPT THAT END SECTIONS WILL BE PAID FOR AS STATED ABOVE.

DETAIL OF PRECAST CONCRETE BOX CULVERT END SECTION



END CONNECTION TO FIT PRECAST BOX CULVERT (BELL OR SPIGOT MAY BE OMITTED WHEN COLLARING TO AN EXISTING BOX OR HEADWALL.)



DIMENSIONS

SPAN X RISE	T (INCHES)	A (FT.-IN.)	B (FT.-IN.)	C (INCHES)	E (FT.-IN.)	F (FT.-IN.)	G (FT.-IN.)	H (FT.-IN.)	SLOPE (X:Y)
2' x 2'	4	2-8	2-8	4	3-0	3-0	1-0	1-0	3:1
3' x 2'	4	3-8	2-8	4	3-0	3-0	1-0	1-0	3:1
3' x 3'	4	3-8	3-8	4	2-0	4-0	1-8	1-4	3:1
4' x 2'	5	4-10	2-10	5	3-0	3-0	1-0	1-0	3:1
4' x 3'	5	4-10	3-10	5	2-0	4-0	1-8	1-4	3:1
4' x 4'	5	4-10	4-10	5	2-0	4-0	2-0	2-0	2:1
5' x 2'	6	6-0	3-0	6	3-0	3-0	1-0	1-0	3:1
5' x 3'	6	6-0	4-0	6	2-0	4-0	1-8	1-4	3:1
5' x 4'	6	6-0	5-0	6	2-0	4-0	2-0	2-0	2:1
6' x 2'	7	7-2	3-2	7	3-0	3-0	1-0	1-0	3:1
6' x 3'	7	7-2	4-2	7	2-0	4-0	1-8	1-4	3:1
6' x 4'	7	7-2	5-2	7	2-0	4-0	2-0	2-0	2:1

ILLINOIS DEPARTMENT OF TRANSPORTATION
EXISTING STRUCTURE INFORMATION
 STATION 1701+41.00
 FAP ROUTE 323 (US 36)
 SECTION (149,150)RS-3
 EDGAR COUNTY

SCALE: NOT TO SCALE
 DATE: 08/12/2008

DRAWN BY: JMS
 CHECKED BY: